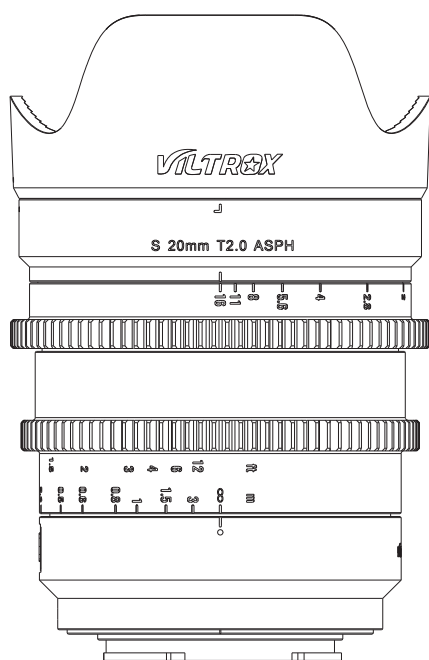


**VILTROX® 唯卓仕**

# 20mm / T2.0

## 全画幅定焦镜头

E-mount



感谢您选用唯卓仕镜头！

\* 在把唯卓仕镜头安装到您的相机上,请仔细阅读本说明书,以便能够了解和正确使用镜头的全部功能。



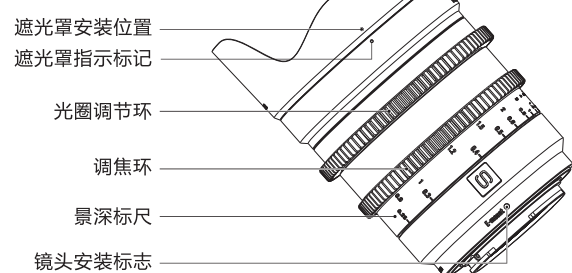
深圳市爵影科技有限公司  
电话: 0755-2877 9024 传真: 0755-2877 4730  
电邮: info@jyc-hk.com 网址: www.viltrox.com  
地址: 深圳市龙华区大浪街道下岭排村宝坤科技工业园4栋2楼

### 产品功能

S20mm T2.0 ASPH 全画幅手动对焦定焦镜头专为E卡口而设的大光圈定焦镜头, 提供了画面中心到边缘的出色成像表现。

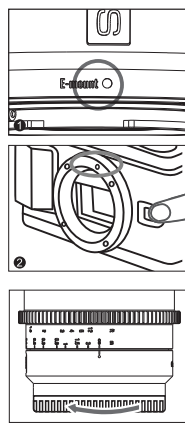
- 产品特点
- \* 全画幅, 20mm焦距, 1:2.0大光圈
- \* 9组12片光学结构, 包含大口径双面非球面1枚, ED镜片4枚, 低波高透镜片1枚
- \* 高清纳米多层镀膜, 前镜片防水防污镀膜
- \* 手动对焦, 关键部件精密黄铜零件, 手感丝滑
- \* 14片超圆光圈
- \* 精密金属结构

### 部件说明



### 安装及卸载镜头

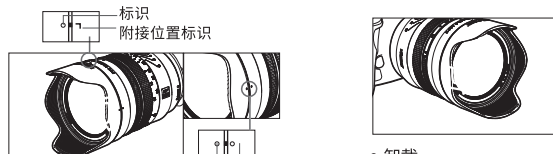
- 安装镜头  
将镜头上的安装标记对准相机上的相同标记, 然后顺时针方向转动镜头, 直到安装到位为止。(详细安装及卸载镜头的步骤, 请参阅相机使用手册)
- 卸载镜头  
按住相机上的释放按钮, 按所示方向逆时针转到镜头直至停止转动, 然后移除镜头。请在卸载镜头后, 请将镜头后端朝上放置以避免划伤镜头表面和电子触点。



- 镜头盖  
当取下镜头时, 需要装上防尘盖。将防尘盖上的安装标记对准镜头的安装标记, 并朝顺时针方向转动, 取下时, 则以逆时针方向转动。

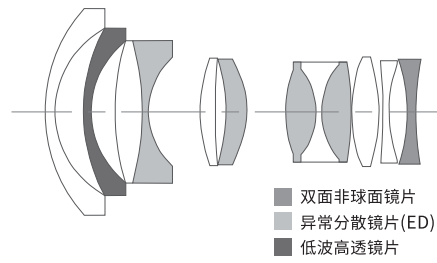
### 遮光罩

遮光罩用以保护镜头, 阻挡杂光或鬼影的散射光线, 并避免雨雪及灰尘等黏附在镜头前端。

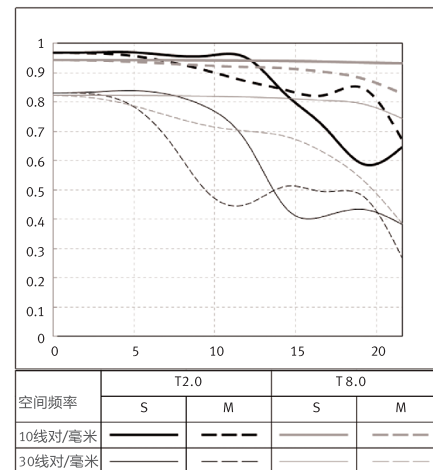


- 安装  
将遮光罩的标识与镜头前端的附件位置标识对齐, 然后以顺时针方向旋转遮光罩, 直至其与镜头紧密连接, 并与遮光罩的停止位置标识对齐。

### 镜头结构图



### MTF曲线图(PFU RBMH S20mmT2.0 E-Mount)



### 安全注意

- \* 请勿通过镜头或相机观看太阳或明亮的光源, 否则会使视力受损。
- \* 无论镜头是否装在相机上, 请勿将没有盖上镜头盖的镜头置于太阳下, 否则镜头可能汇聚光线引起火灾。
- \* 请勿将镜头放置于儿童易触及的地方, 否则会有事故或受伤的危险。
- \* 请勿自行拆卸本产品的内部零件, 这可能会导致损伤。

### 使用注意

- \* 安装镜头时, 小心不要让它受到机械撞击。
- \* 存放时, 请务必始终将镜头盖盖在镜头上。
- \* 请勿将镜头长期存放在非常潮湿的地方, 以免发霉。
- \* 本镜头并不防水, 下雨或接近水源使用时须特别小心, 倘若内部机件、镜头及电子零件因水弄湿受损, 很可能无法维修。
- \* 温度突变可能会使镜头表面凝结雾气或水珠, 因此在天气寒冷时进入暖和的室内环境, 最好将镜头放在密封的塑料袋或镜头保温箱内, 直至镜头温度接近室温为止, 将镜头从温暖环境拿到寒冷的环境中时, 也请使用同样的方法。

### 清洁

- \* 请勿直接用手触摸镜头触点, 若镜头脏, 请用镜头皮老虎吹去灰尘并用干净、柔软镜头布(清洁布)轻轻擦拭。
- \* 请勿使用任何有机溶剂, 如稀释剂或汽油来清洁镜头。

### 产品规格

焦距	20 mm
光圈	T/2.0-T/16
光圈叶片数	14
近距离对焦	0.25m(9.84")
图像覆盖范围	43.2mm(1.7inch)
正面直径	80mm(3.15inch)
滤网尺寸	M82x0.75
长度	102MM(4.02")
重量	808g(1.78")
FF	94°
S35	75.59°
APS-C	70.77°
标配附件	镜头*1 遮光罩*1 滤镜支架*1 说明书*1

1. 从像面位置测量最近对焦距离。
2. 从E卡口镜面到镜头最前端。
3. 不包含镜头支撑脚。
4. 全画幅相机的水平视角 (纵横比为1: 1.5, 尺寸为36mm×24mm / 1.42"×0.94")
5. Super 35 数码电影摄影机的水平视角 (纵横比为1: 1.8, 尺寸为24.6mm×13.8mm / 0.97"×0.54")
6. APS-C摄像机的水平视角 (纵横比为1: 1.5, 尺寸为23.7mm×15.7mm / 0.93"×0.62")

规格如有更改, 恕不另行通知。

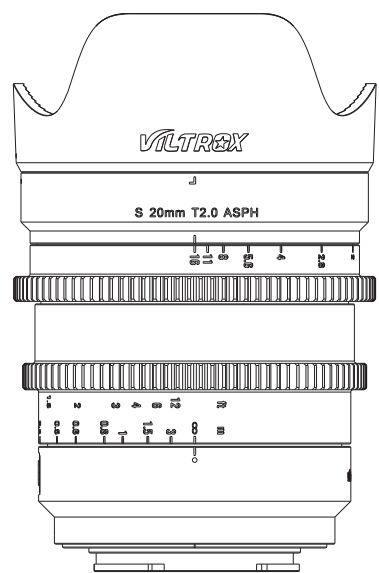
Size: 400\*175mm(100\*175)

**VILTROX®**

# 20mm / T2.0

## FULL-FRAME PRIME LENS

E-mount



Thank you for choosing Viltrox Lens!

Before mounting the lens onto your camera, please read this manual carefully so as to understand and use all the functions of the Lens.



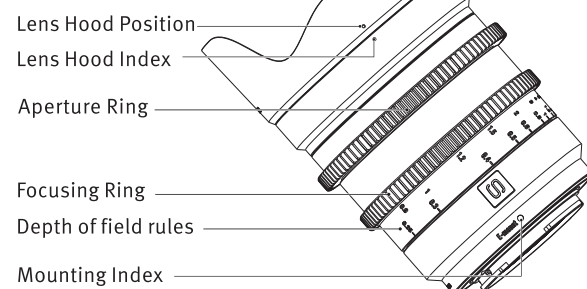
Shenzhen Jueying Technology Co.,Ltd.  
TEL: +86-755-2877 9024 FAX: +86-755-2877 4730  
MAIL: info@jyc-hk.com URL: www.viltrox.com  
FTY: 2/F,Blk 4, Baokun Science and Technology Industrial Park,  
Xialingpai, Dalang Str.,Longhua,Shenzhen,China

### Function

S 20mm T2.0 ASPH full-frame manual focus prime lens is a large aperture lens designed for E mount, providing excellent imaging performance from the center to the edge of the image.

- Main Features:
- \* Full Frame, 20mm focal length, 1:2.0 large aperture
- \* 12 elements in 9 groups, including 1 double-sided aspheric lens, 4 ED lens and 1 short wave length and high transparent lens
- \* HD Nano multilayer coating with water-resistant and antifouling coating
- \* Smooth manual focus with precision components including brass barrel
- \* 14 blades ultra-round diaphragm
- \* Precision metal structure

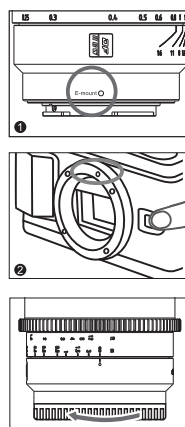
### Identifying the Parts



### Attaching and Detaching the Lens

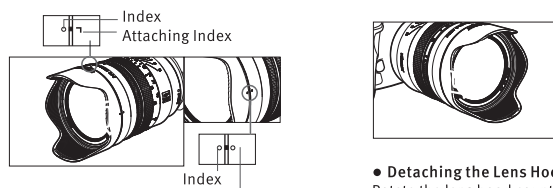
- To attach the lens  
Align the white index on the lens barrel with the white index on the camera, then insert the lens into camera mount and rotate it clockwise until it locks. (For further details of attaching and detaching lens, please kindly refer to the User Manual of the camera.)
- To detaching the lens  
While holding down the lens release button on the camera, rotate the lens counterclockwise until it stops, then detach the lens. Please place the back of the lens upward to avoid scratches on the lens surface and the electronic contacts.

- Lens Cap  
When lens is detached, please cover it with a dust cap. Align the mounting index on the dust cap with the mounting index on the lens, then rotate the cap clockwise until it stops. And rotate it counterclockwise when removing the cap.



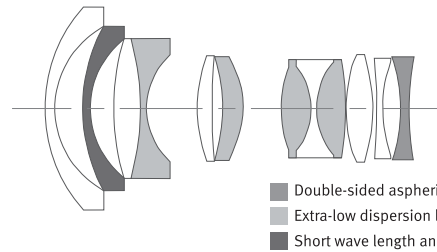
### Lens Hood

Lens hood is used to reduce flare or scattering light of ghost and avoid rain, snow and dust sticking to the front of the lens.

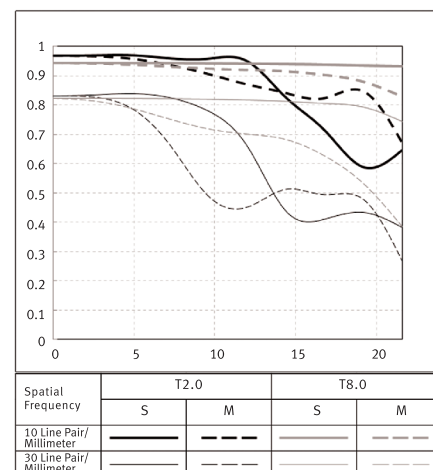


- Attaching the Lens Hood  
Align the lens hood index on the lens hood with the attaching index on the lens, then insert the lens hood into the lens mount and rotate it clockwise until it clicks and now the red dot on the lens hood should match the stop index on the lens.
- Detaching the Lens Hood  
Rotate the lens hood counterclockwise until the lens hood index on is aligned with the attaching index on the lens, then remove the lens hood. The lens hood can be attached or stored in the opposite direction.

### Lens Construction Diagram



### MTF Graph(PFU RBMH S20mm T2.0 E-Mount)



### Safety Notes

Do not look at the sun or bright source through the lens or camera, otherwise the vision will be impaired.

- \* Do not place the lens in the sun, regardless of whether it is mounted on the camera, otherwise the lens may fuse and cause a fire.
- \* Do not place the lens in a child-sensitive area, otherwise it risks accident or injury.
- \* Please do not disassemble the internal parts of the product yourself, which may cause damage.

### Using Tips

- \* When attaching the lens, be careful not to let it be hit by a mechanical impact.
- \* When stored, please make sure to put the lens cap on the lens.
- \* Please do not store the lens in a very humid place for fear of mildew.
- \* The lens is not water-resistant, so it must be used carefully when it is raining or near water. If the internal parts, lens or the electrical components are damaged by water, it is probably unable to repair.
- \* Temperature shock may cause fog or water droplets on the lens surface, so while going into a warm indoor environment in the cold weather, it would better place the lens in an airtight plastic bag or an oven until the lens temperature gets close to the room temperature. Please use the same method when taking the lens from a warm environment to a cold one.

### Cleaning

- \* Please don't touch the contacts on the lens with your hand. If the lens gets dirty, blow off the dust with a lens-nosed tiger and rub slightly with a clean, soft lens cloth (cleaning cloth).
- \* Please do not use any organic solvent, such as dilute or gasoline to clean the lens.

### Specification

Focal length	20 mm
Aperture	T/2.0-T/16
Aperture Blades No.	14
Closest focusing distance <sup>1</sup>	0.25m(9.84")
Image Coverage	43.2mm(1.7inch)
Front diameter	80mm(3.15inch)
Filter size	M82x0.75
Length <sup>2</sup>	102MM(4.02")
Weight <sup>3</sup>	808g(1.78")
FF <sup>4</sup>	94°
S35 <sup>5</sup>	75.59°
APS-C <sup>6</sup>	70.77°
Standard Accessories	Lens*1 FilterHolder*1 Lens Hood*1 User Manual*1

- 1 Close focus distance is measured from the image plane.
  - 2 Front to E-mount flange.
  - 3 Without lens support foot.
  - 4 Horizontal angle of view for a full-frame camera aperture (aspect ratio 1:1.5, dimensions 36mm × 24mm / 1.42" × 0.94")
  - 5 Horizontal angle of view for a super 35 digital cinema camera aperture (aspect ratio 1:1.8, dimensions 24.6mm × 13.8mm / 0.97" × 0.54")
  - 6 Horizontal angle of view for an APS-C camera aperture (aspect ratio 1:1.5, dimensions 23.7mm × 15.7mm / 0.93" × 0.62")
- The specifications are subject to change without notice.

Size: 400\*175mm(100\*175)