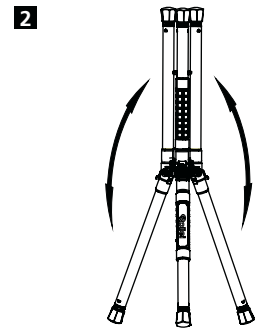
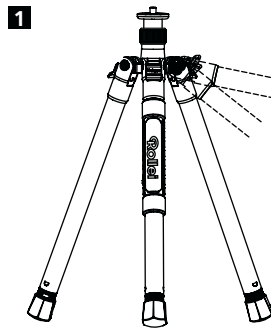


## Instruction Manual Rollei City Traveler Tripod

Thank you for choosing this Rollei product. Please read the manual carefully before you use this travel tripod.

The tripods of the City Traveler Series are made out of Carbon. Therefore they are lightweight and due to their compact design, these tripods are ideal for using them on your next city trip. City Traveler tripods are especially designed for DSLM cameras (mirrorless cameras) and support them excellently.



### 1 Angle Adjustment

To change the leg angle press the angle adjustment knob down. Then you are able to change the leg's position. There are three lock-in positions on the leg angle adjustment. If you have put the leg up and then lower it down the leg angle adjustment will automatically go into the lock-in positions. To put the tripod into the folded length, you need to put the leg to the top by folding it by 180°. Therefore press the leg angle adjustment knob down and while you have pressed it push the leg to the top.

### 2 180° reverse folding

### 3 Center Column

To adjust the height of the center column loosen the center column lock by turning it counter clockwise, move the center column up or down to your desired height. Finally lock the center column position by turning the center column lock clockwise. Furthermore you can unscrew the hook at the bottom part of the center column to insert it the other way round. This position is used in macro photography.

### 4 3/8 inch screw to mount a ball head

### 5 Anti-rotate screw

If you have attached a ball head on the tripod you can firmly fix it by using the anti-rotate screw. With this function the ball head cannot screw off by accident. Use the wrench to screw the anti-rotate screw inside the plate. Please make sure that the ball head is fixed, but that the panoramic function can still be used. If the anti-rotate screw is too tight, the panorama function of the ball head might be blocked. If this is the case please unscrew the anti-rotate screw a bit, until the panorama function is working well again.

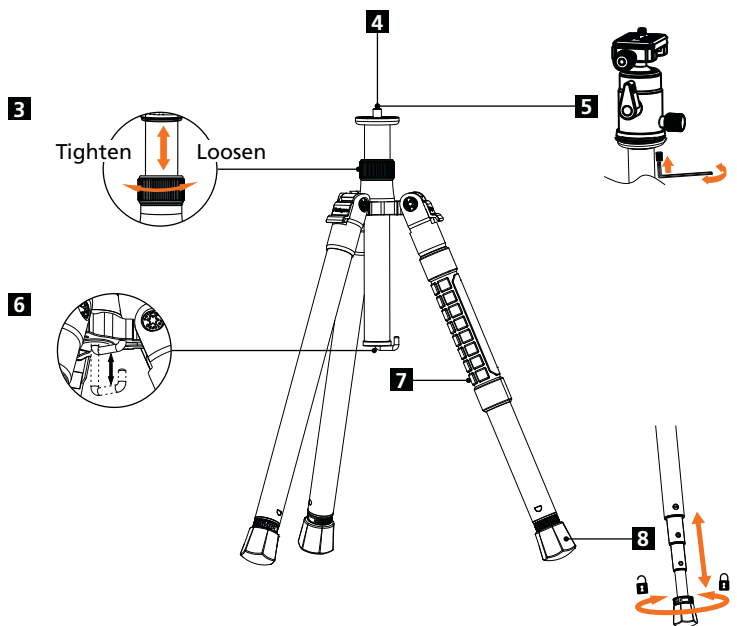
### 6 Hidden Hook

This hook can be used to put a counterweight onto the tripod. This can be a sand bag, carry bag or others and it will increase the stability of the tripod.

### 7 Silicone grip

### 8 Leg length adjustment

To adjust the leg length rotate clockwise the rubber feet totally. Then you can pull out the leg completely. Finally please lock the leg length by rotating it counter clockwise. Please note the leg length can be locked at any position.



### Attention

1. Do not overload the tripod.
2. Always tighten the center column lock if you use the tripod.
3. For your safety do not let the product touch any electric objects, high voltage equipment and superactive chemicals.
4. Only use standard lubricant when necessary.

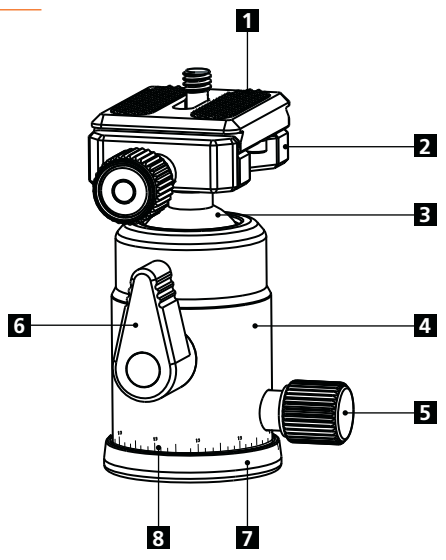
### Cleaning

After using the tripod in water, sand or dust, please clean it carefully. Therefore expand all legs and use a dry cloth to clean the tripod. If it is completely wet, let it dry completely. If you have used it in salt water or sand you should also clean and rinse it with fresh water.

4	22–13 mm	38 cm	130.5 cm	37.5 cm	799 g	5 kg

### Ball Head

#### A



#### A Construction

- 1 Quick release plate
- 2 Platform
- 3 Ball
- 4 Ball housing
- 5 Ball head locking knob
- 6 Base locking knob
- 7 Base
- 8 Scale

#### B Parts Name

- 9 Vertical spirit level
- 10 Platform locking knob
- 11 Anti-slip groove
- 12 Platform

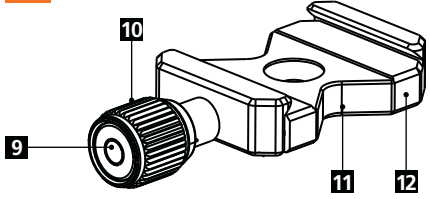
#### C How to install the quick release plate

- 13 Locking knob
- 14 Align the quick releaseplate in regard to the anti-slip screw and anti-slip groove.
- 15 Anti-slip groove
- 16 Anti-slip screw
- 17 Align the quick release plate
- 18 Make sure that the quick release plate is well positioned and lock the knob again.

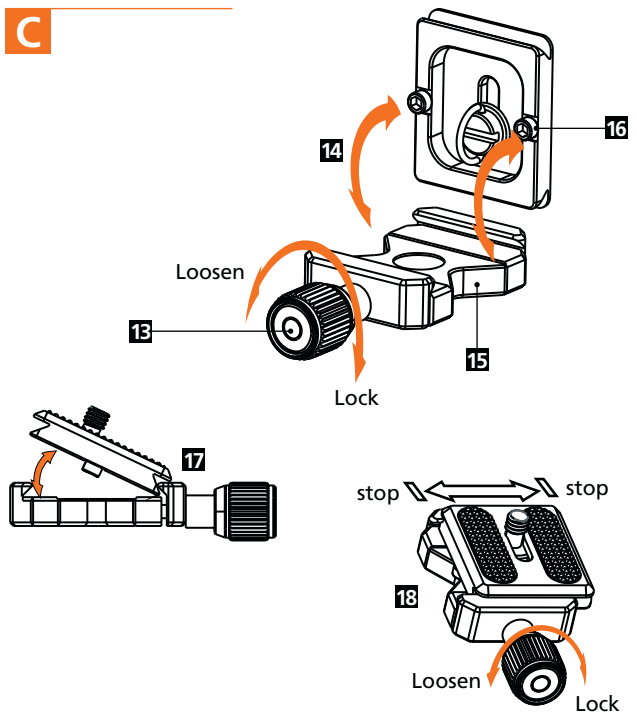
#### D Ball Head Locking Knob

- 19 To move the ball of the head loosen the ball head locking knob. Then you can put the ball in the position you need. Then lock the knob again. If the knob is locked but the top of the screw is in your way, you can simply pull it up and adjust the position of the screw and put it back. The screw itself will not be loosen by this operation.

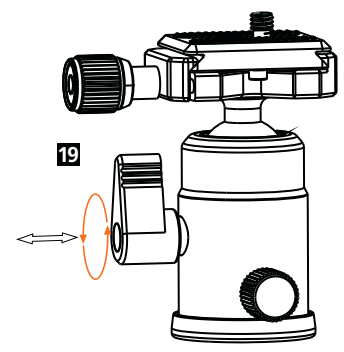
#### B



#### C



#### D



#### Technical Specification

25 mm	3.6 cm	4 cm	7,8 cm	194 g	5 kg