

A person with a backpack and a tripod standing on a mountain peak at sunrise. The person is silhouetted against the bright sky, holding a tripod. The background shows a vast, hazy mountain range under a clear sky.

Rollei

Stativ C6i+T2S Plus

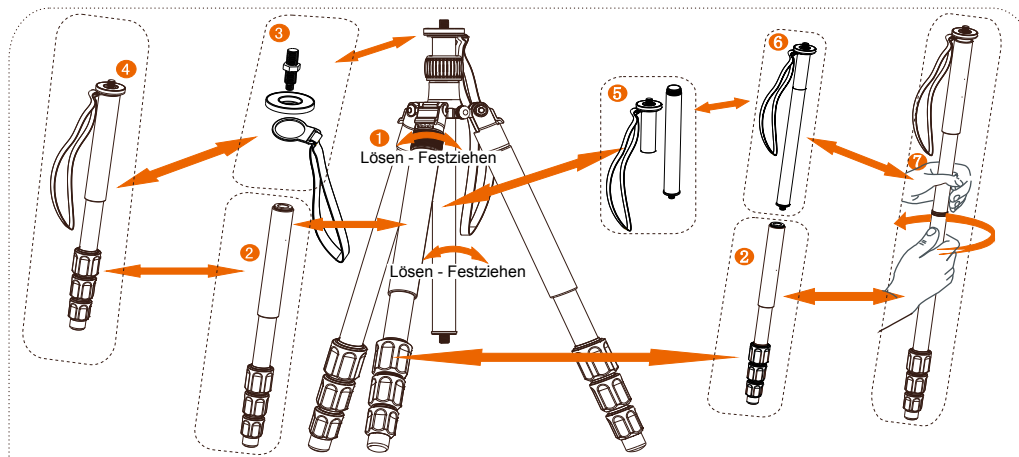
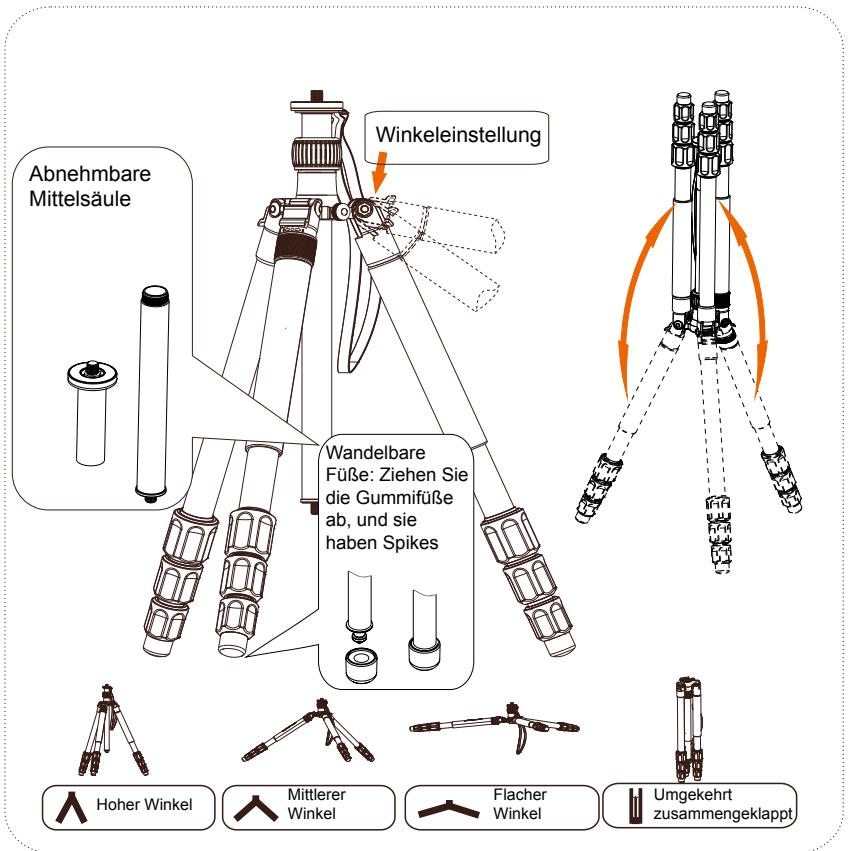
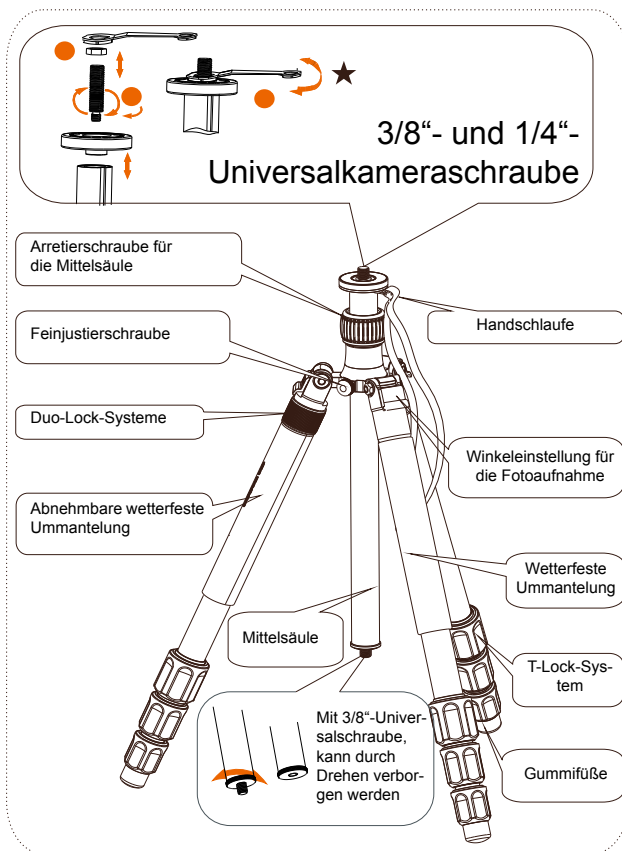
Tripod C6i+T2S Plus

Bedienungsanleitung | User Guide

For German | English | French | Spanish | Italian | Portuguese

C6i+T2S Plus Bedienungsanleitung

Vielen Dank, dass Sie unsere Produkte gewählt haben. Vor dem Gebrauch bitte sorgfältig lesen.



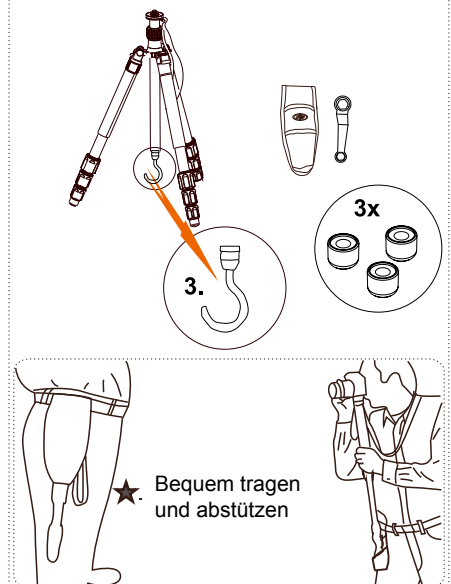
Zu einem Einbeinstativ umbauen

1. Die Arretierschraube des Einbeinstativs lösen
2. Das Bein lösen und herausziehen
3. Mit einem Schraubenschlüssel die Basisplatte und die Handschleife lösen
4. Das neue Einbeinstativ besteht aus der Basisplatte und einem Bein

In ein längeres Einbeinstativ verwandeln

1. Die Arretierschraube des Einbeinstativs lösen
2. Das Bein lösen und herausziehen
5. Abnehmbare Mittelsäule
6. Die Mittelsäule wieder zusammenstecken
7. Das neue Einbeinstativ besteht aus der Mittelsäule und einem Bein

★ Im Lieferumfang: Mehrzweckschlüssel, Haken, Gürteltasche für Einbeinstativ



| Modell | Segmente | Max. D | H zus. geklappt | Min. H | Max. H | Gewicht | Tragkraft | Max. H | Gewicht |
|--------------|----------|--------|-----------------|--------|--------|---------|-----------|--------|---------|
| C6i+T2S Plus | 4 Seg. | 28 mm | 47 cm | 24 cm | 174 cm | 2,12 kg | 14 kg | 181 cm | 995 g |

*Design und Spezifikation des tatsächlichen Produkts können abweichen

C6i+T2S Plus professional tripod instructions

Thanks for choosing our products. Please read carefully before using.

Universal camera screw with 3/8 and 1/4

Fixed knob for centre column

Micro adjustable knob

Hand strap

Duo-lock systems

Angle adjustment for shooting

Removable all-weather cushion

All-weather cushion

The centre column

T-Lock system

Rubber feet

With 3/8 universal screw and can be hidden through rotation

Angle adjustment

Detachable centre column

Transferable feet pad, pull out the rubber pad, can be changed into spike

High angle

Middle angle

Low angle

Reversal folded

How to become a monopod

1. Loose the knob of monopod
2. Loose and pull out the tripod leg
3. Use screw drive to pull out the base and hand strap
4. The new monopod is made up of the base and tripod leg

Change into a longer monopod

1. Loose the knob of monopod
2. Loose and pull out the tripod leg
5. Detachable centre column
6. Combine the centre column again
7. The new monopod is made up of the centre column and leg

★ gift: multifunctional wrench, hanger, waist bag for monopod

3x

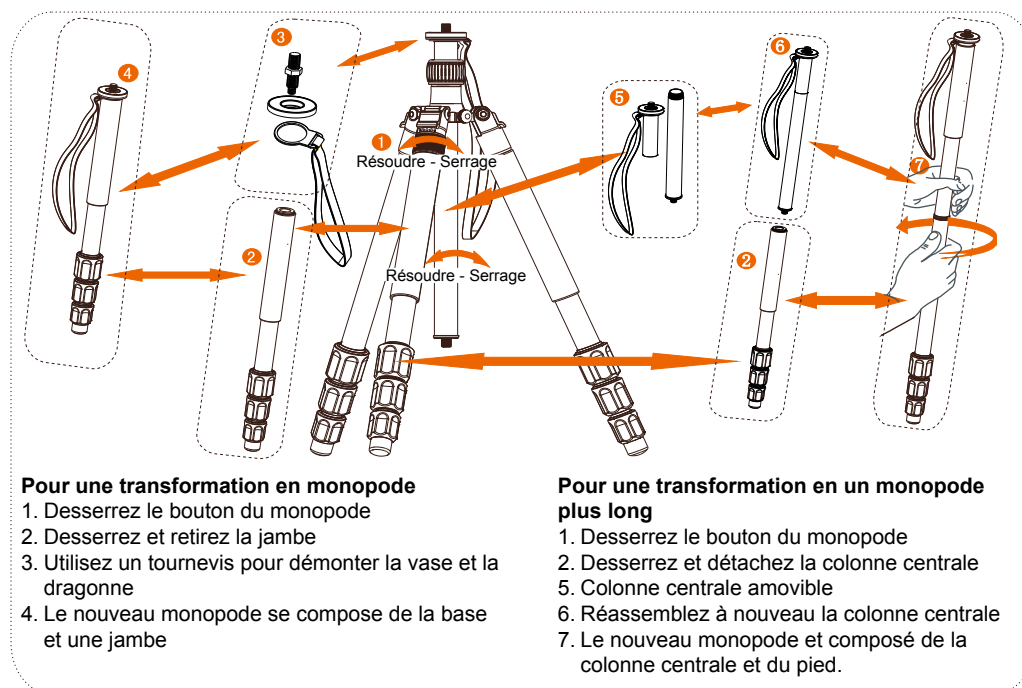
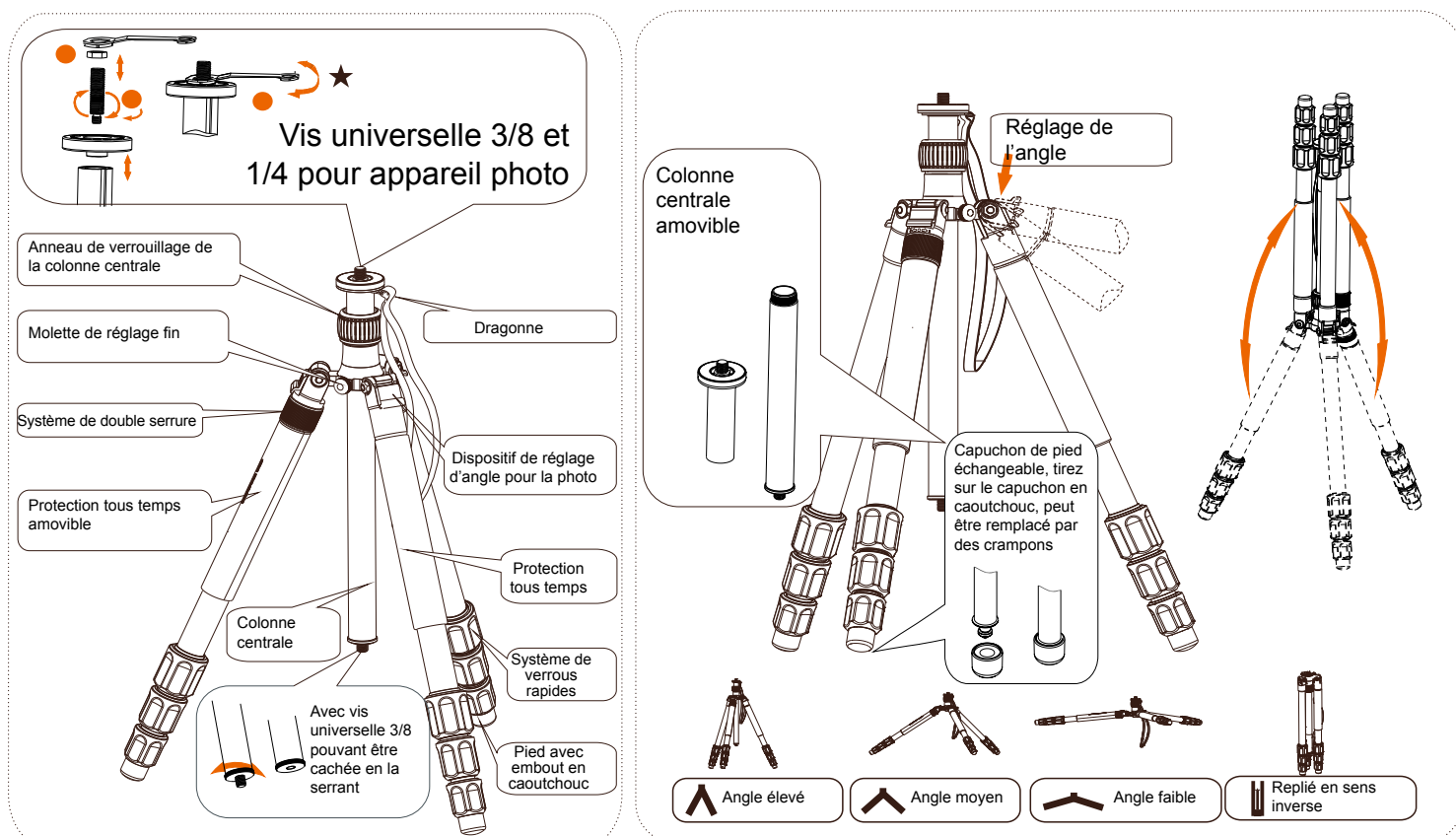
★ Carry with easy and support

| Model no. | Sections | Max. D | Folder | Min. H | Max. H | Weight | Loading | Max. H | Weight |
|--------------|----------|--------|--------|--------|--------|---------|---------|--------|--------|
| C6i+T2S Plus | 4 Seg. | 28 mm | 47 cm | 24 cm | 174 cm | 2.12 kg | 14 kg | 181 cm | 995 g |

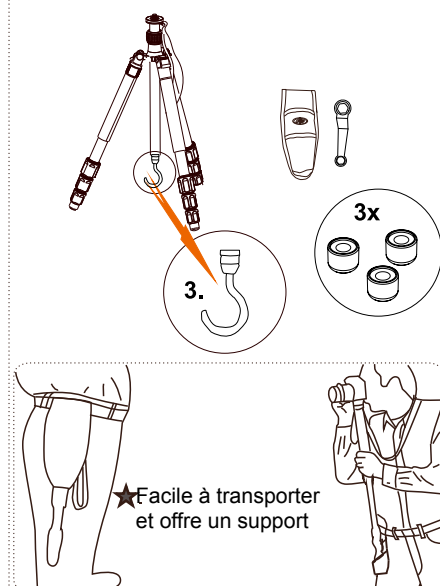
*Design and specification are subject to real product.

Notice d'utilisation du trépied professionnel C6i+T2S Plus

Merci d'avoir choisi nos produits. A lire attentivement avant l'utilisation.



★ Cadeau : clé, crochet, sac taille pour monopode

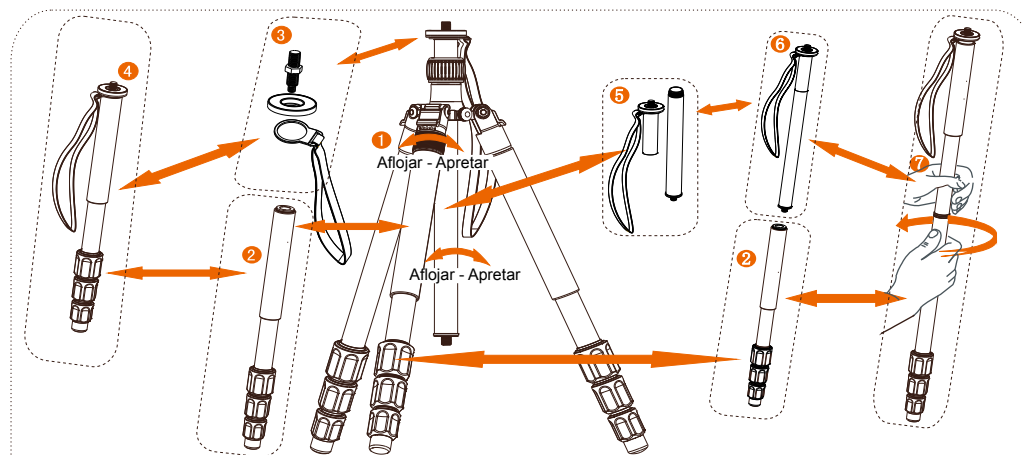
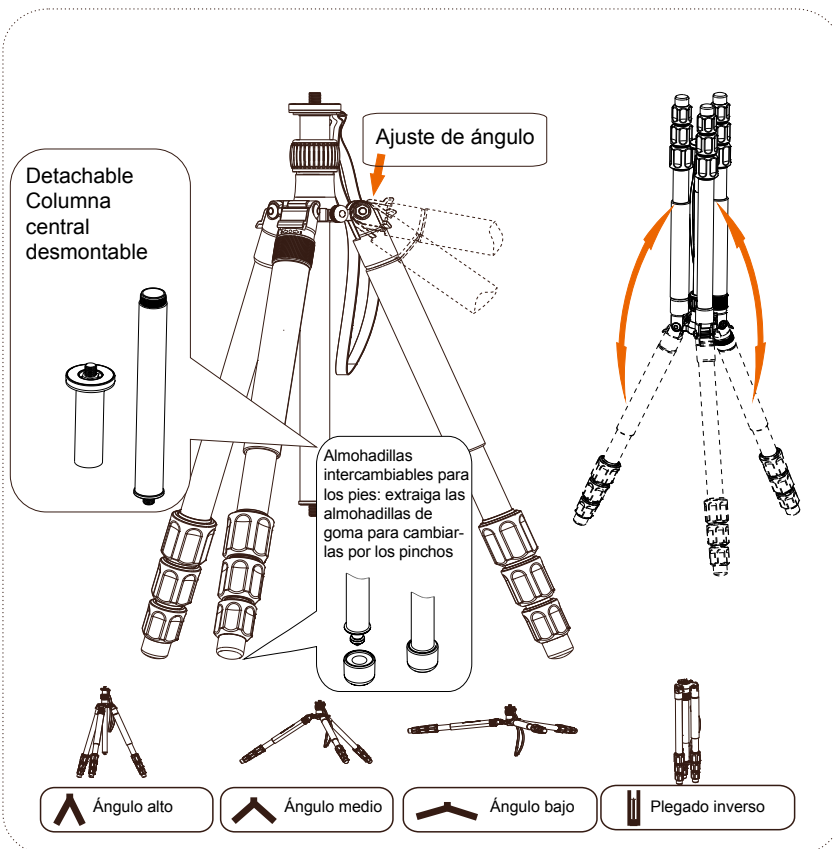
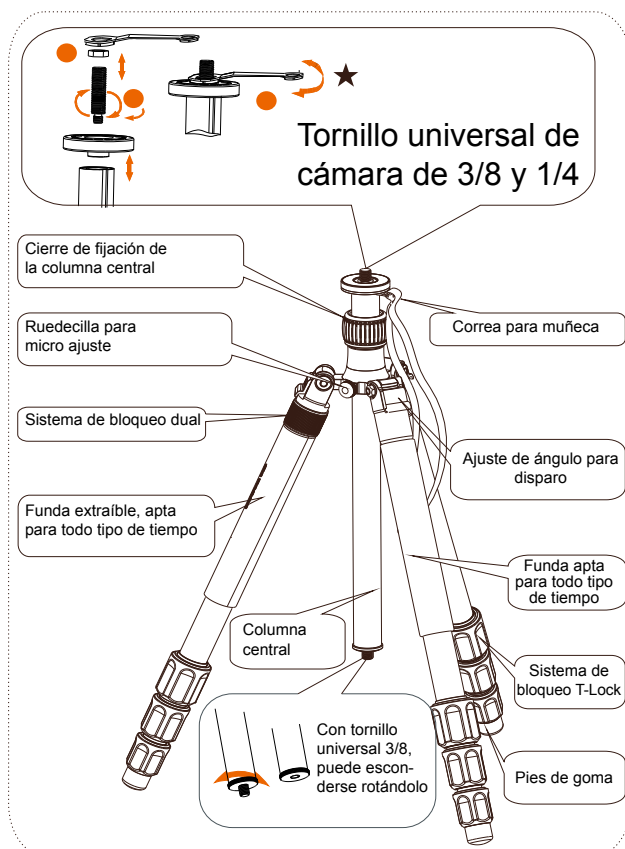


| Modèle n° | Sections | D max. | Replié | H min. | H max. | Poids | Charge max. | H max. | Poids |
|--------------|----------|--------|--------|--------|--------|---------|-------------|--------|-------|
| C6i+T2S Plus | 4 Seg. | 28 mm | 47 cm | 24 cm | 174 cm | 2,12 kg | 14 kg | 181 cm | 995 g |

*Le design/les caractéristiques fait référence au produit d'origine

Instrucciones Trípode profesional C6i+T2S Plus

Gracias por elegir nuestros productos. Lea estas instrucciones antes de usar el producto.



Cómo convertir el trípode en un monopie

1. Aflojar el cierre del monopie
2. Aflojar y extraer la pata
3. Usar destornillador para extraer la base y la correa para la muñeca
4. El monopie consta de la base y una pata

Cómo alargar el monopie

1. Aflojar el cierre del monopie
2. Aflojar y extraer la pata
5. Columna central desmontable
6. Vuelva a unirlo a la columna central
7. El monopie alargado consta de la columna central y una pata

★ gratis: llave multifunción, gancho, bolsa riñonera para monopie

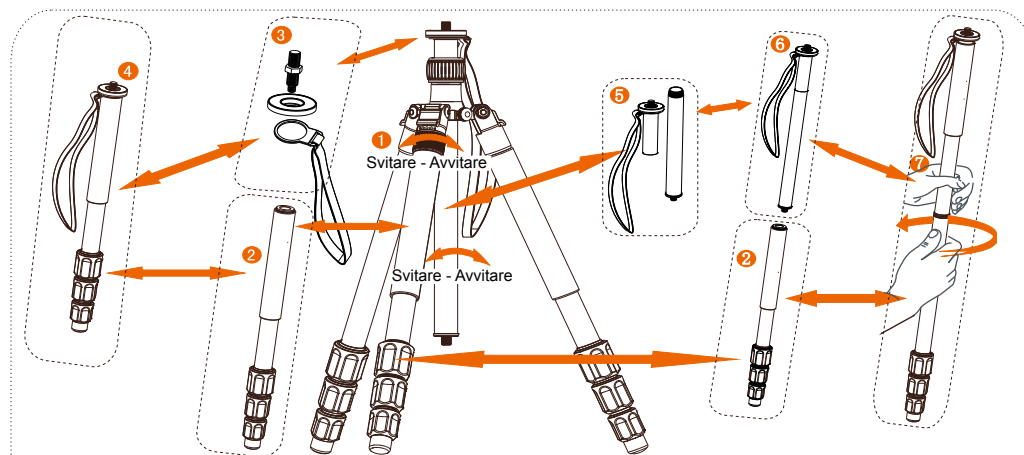
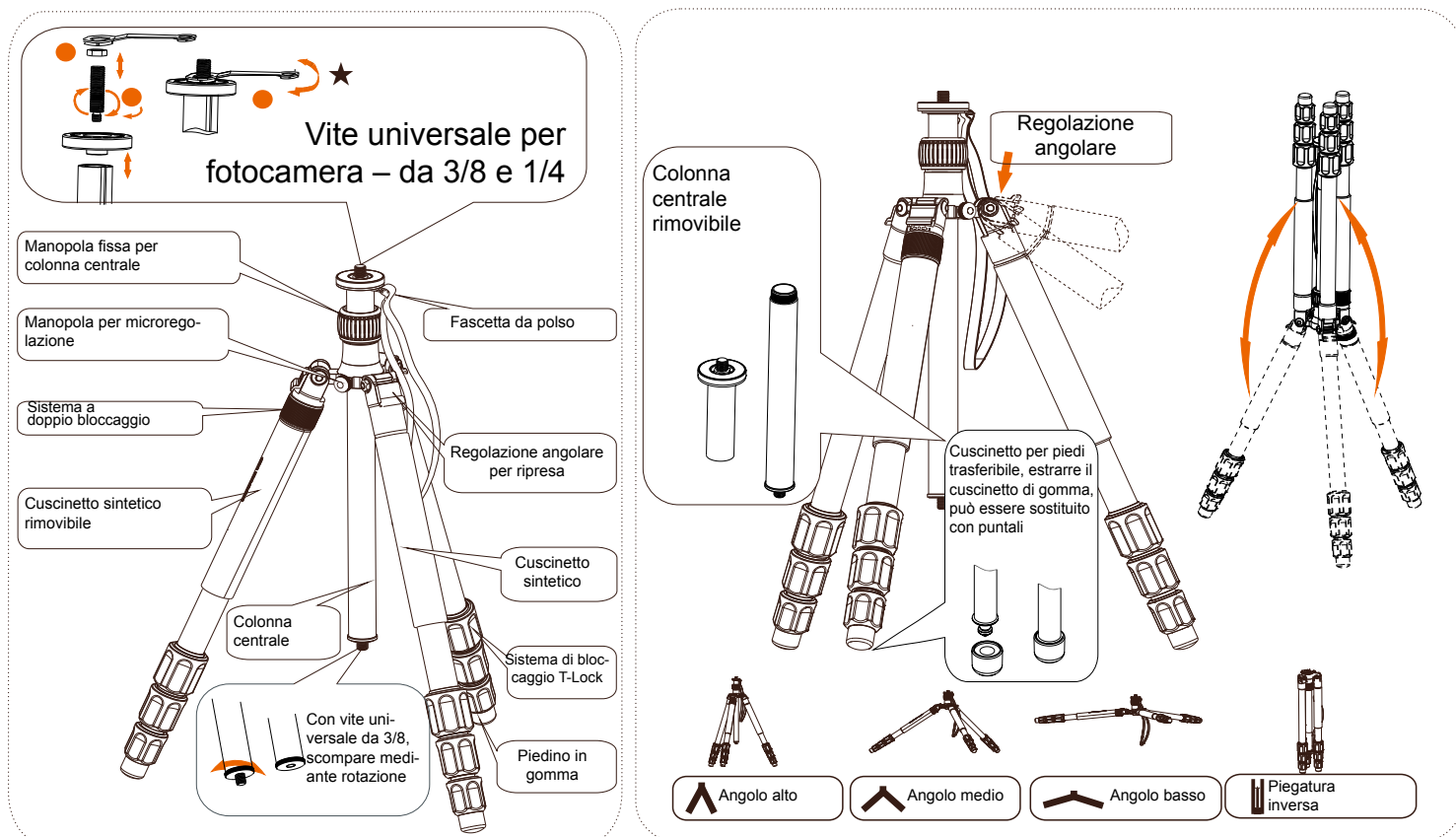


| N.º de modelo | Secciones | D. máx. | Plegado | Alt. mín. | Alt. máx. | Peso | Carga | Alt. máx. | Peso |
|---------------|-----------|---------|---------|-----------|-----------|---------|-------|-----------|-------|
| C6i+T2S Plus | 4 Seg. | 28 mm | 47 cm | 24 cm | 174 cm | 2,12 kg | 14 kg | 181 cm | 995 g |

*Diseño y especificaciones según el producto real.

Istruzioni per treppiede professionale C6i+T2S Plus

Grazie per aver scelto i nostri prodotti. Si prega di leggere attentamente prima dell'uso.



★ Accessori: chiave universale, gancio, custodia da cintura per monopiede

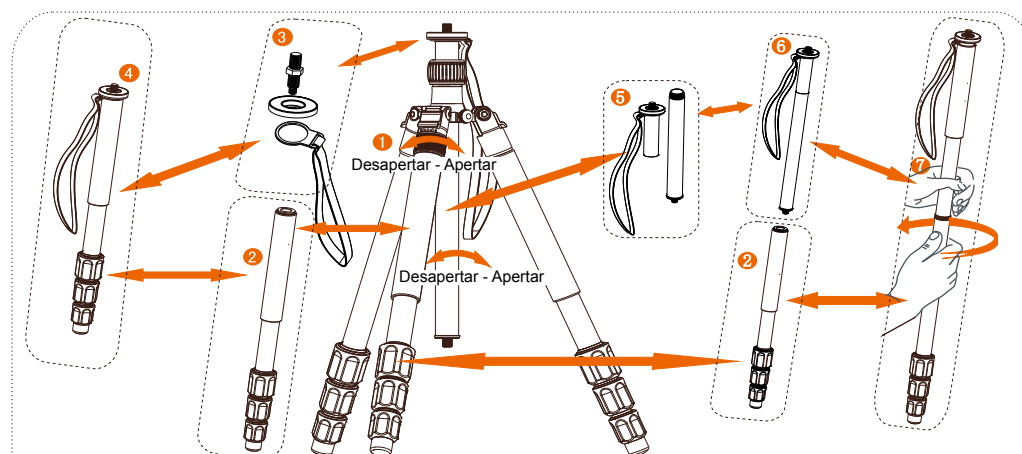
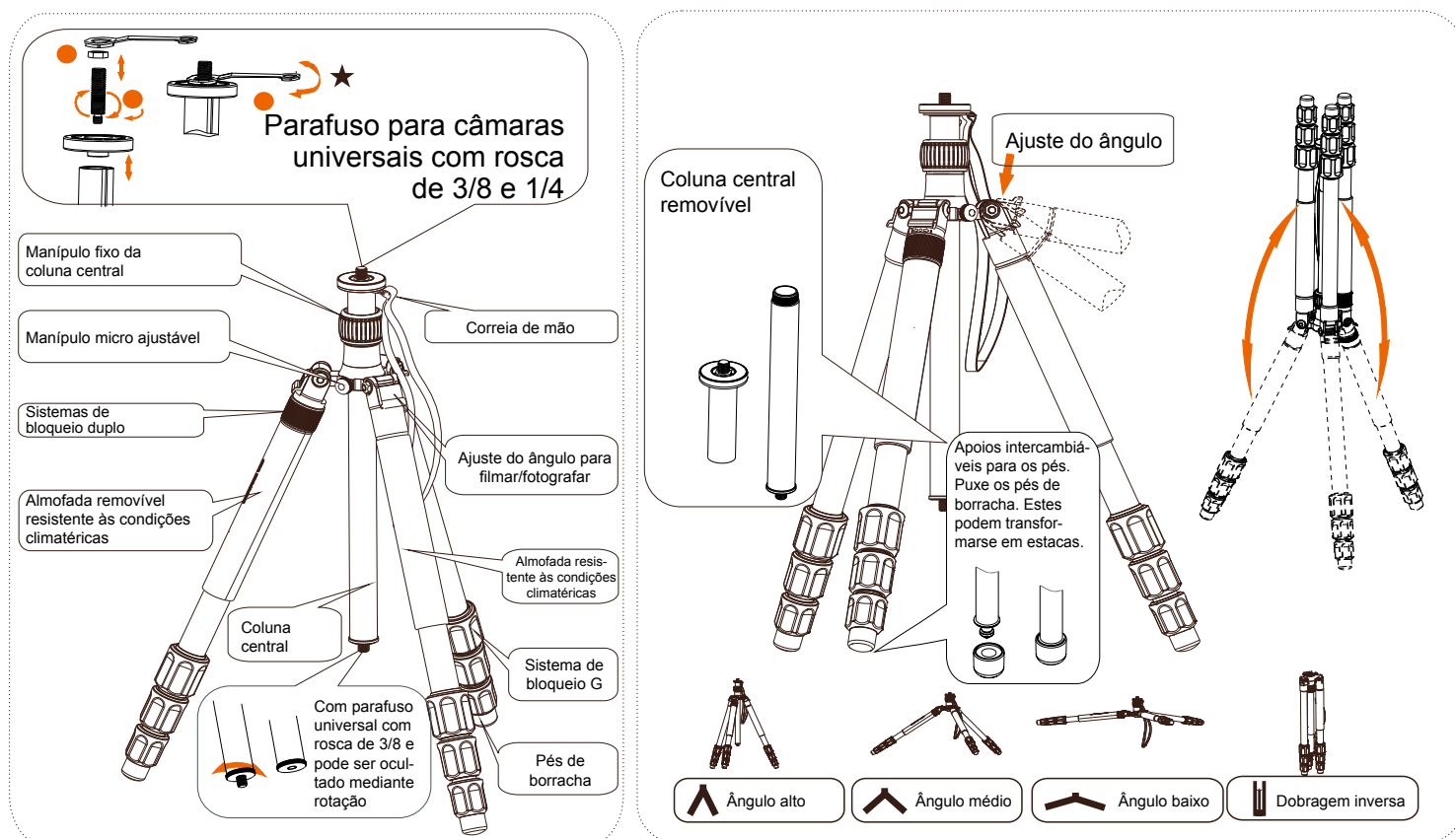


| N. modello | Sezioni | Diam.max | Lungh. da chiuso | Alt. min. | Alt. max. | Weight | Peso | Alt. max. | Peso |
|--------------|---------|----------|------------------|-----------|-----------|---------|-------|-----------|-------|
| C6i+T2S Plus | 4 Seg. | 28 mm | 47 cm | 24 cm | 174 cm | 2,12 kg | 14 kg | 181 cm | 995 g |

* Il modello e le specifiche sono soggetti a variazioni in funzione del prodotto reale.

Instruções do tripé profissional C6i+T2S Plus

Agradecemos a preferência pelos nossos produtos. Leia atentamente antes de utilizar o equipamento.



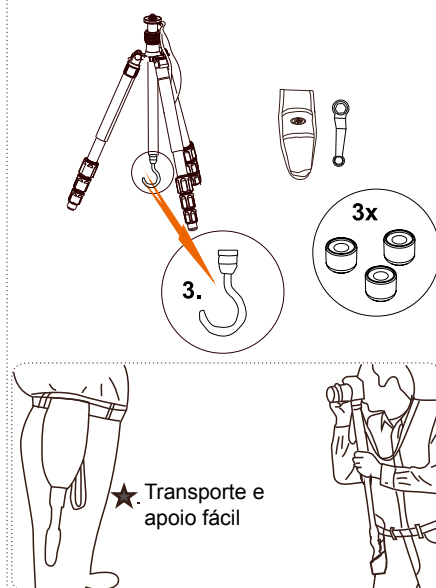
Como transformar o tripé em monopé

1. Desaperte o manípulo do monopé.
2. Desaperte e puxe a perna do tripé
3. Utilize uma chave de fendas para retirar a base e a cordeira de mão.
4. O novo monopé é formado pela base e perna do tripé

Mudar para um monopé mais comprido

1. Desaperte o manípulo do monopé.
2. Desaperte e puxe a perna do tripé
5. Desencaixe a coluna central.
6. Combine novamente a coluna central.
7. O novo monopé é formado pela coluna central e pela perna.

★ oferta: chave multifunções, gancho, bolsa de cintura para o monopé.



★ Transporte e apoio fácil

| Modelo N.º | Secções | Diâm. máx. | Dobrado | Alt. mín. | Alt. máx. | Peso | Carga | Alt. máx. | Peso |
|--------------|---------|------------|---------|-----------|-----------|---------|-------|-----------|-------|
| C6i+T2S Plus | 4 Seg. | 28 mm | 47 cm | 24 cm | 174 cm | 2,12 kg | 14 kg | 181 cm | 995 g |

* O design e as especificações podem variar de acordo com o produto real.



Distribution Rollei GmbH & Co. KG
In de Tarpen 42, D-22848 Norderstedt

Service Hotline +49 40 270750270

Return Service: Rollei Service Deutschland
Denisstraße 28a, D-67663 Kaiserslautern



www.rollei.de/social

www.rollei.com/social