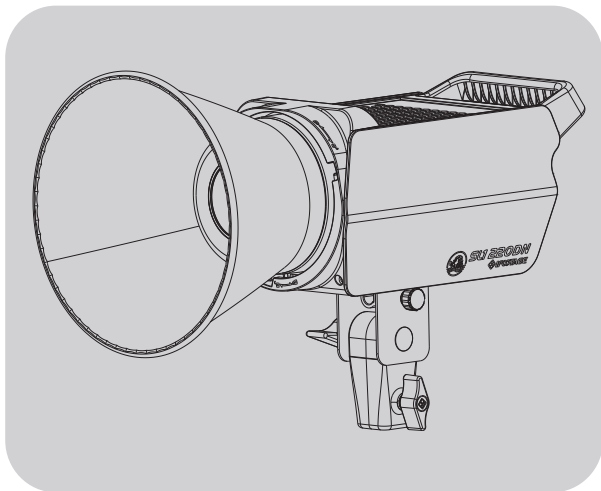




SL1 220DN LED Light User Manual



3DK1473001

Thank you for purchasing this iFootage product. This manual provides important user information for the Anglerfish SL1 220DN LED Light. Please read the manual carefully before operating the equipment and keep the manual safe for future reference.

The Anglerfish SL1 220DN is a convenient and versatile LED light suitable for both video and photography production and features brightness adjustment, 5600K colour temperature, 8 different special effects and mobile device APP connectivity providing multiple settings including key frames. This flexible and compact light is perfect for both studio and location recording.

Contents

■ Features	1
■ Component Description	2
■ Operating Description	4
■ Mode Selection	5
■ Menu Bar	6
■ Power Management	7
■ Bluetooth Connectivity	8
■ App Introduction	9
■ Accessory Installation	10
■ How to Use	11
■ Technical Information	13
■ List of Items	14
■ Notes	14
■ Maintenance	15

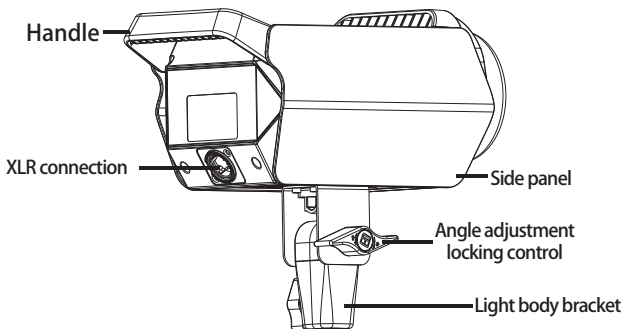
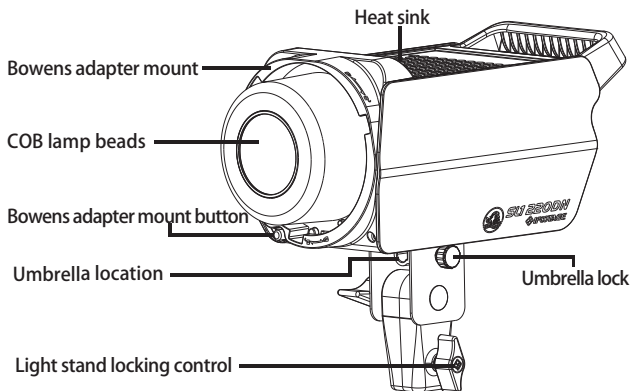
Features

- The 220DN light has fully adjustable angles, provides simple onboard controls as well as App control and can be used hand held or on a stand or with any other suitable support equipment.
- The 220DN provides a solar spectrum light source, RA 98, high colour fidelity, realistic and saturated colour IES TM30-18 index, Rf 97 and Rg100.
- The 220DN offers 8 different special lighting effects designed to suite various scenarios.
- There are 4 types of dimming curves to choose from.
- Connecting to the App via Bluetooth will provide further functions such as key frames, multi-lamp control and music mode.
- Key frame and sequence dimming are fully adjustable and can be preset to suit user requirements.
- Equipped with silent fans the 220DN will automatically adjust fan speed to accommodate the temperature of the light.
- The product has a 'High Temperature' warning function.

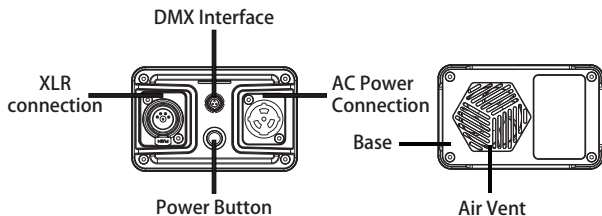
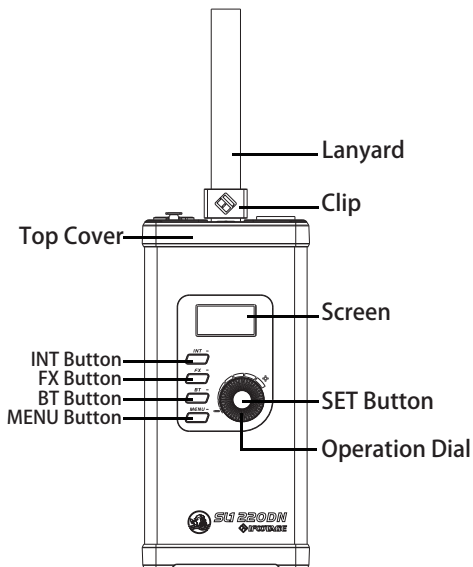
Precautions:

1. Keep dry. Do not expose the product to water, liquids, rain or moisture either whilst in use or when in storage. It is recommended that the product should not be handled using wet hands.
2. Do not disassemble or modify the product. Mishandling, including dropping the product, may result in permanent damage.
3. Please keep this product out of the reach of children and animals.
4. Do not use or store the light in the vicinity of harmful chemicals or combustible materials. Always read the warning labels prior to using the product.
5. Please use appropriate adapters for power supply and temperature specifications and range.
6. The effectiveness of the lamp will be impaired if the heat sink is blocked or covered.

Component Description

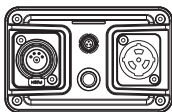


Component Description: Control Unit



Operating Description

■ Controls Description



On/Off Button

Long press: On / Off

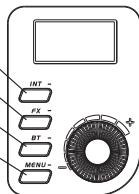
Short press: Temporarily turns light off / on

INT Button: Short press for brightness mode

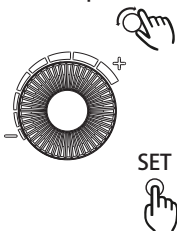
FX Button: Short press for special effect mode

BT Button: Short press for Bluetooth settings

Menu Button: Short press for menu settings



Operation Dial



Rotate: INT mode: Rotate clockwise to increase brightness.

Rotate anti-clockwise to reduce brightness.

FX mode: Rotate dial to select special effects.

BT mode: Rotate dial to select Bluetooth reset.

Menu mode: Rotate dial to select menu.

Press: FX mode: Move the cursor to confirm the current option, Switch between special effect type, brightness, speed / frequency / attenuation respectively.

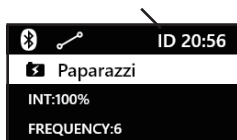
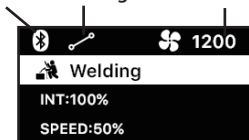
BT mode: Determine whether to select Yes or no.

Menu mode: Fan setting, dimming curve, language, DMX.

DMX Settings: Short press to change DMX address; Channel settings.

■ Screen Description

Bluetooth Dimming Curve Fan Speed/Device ID Code Switch



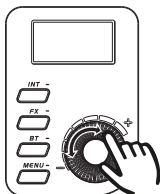
Main Menu Bar

Mode Selection

■ Light brightness mode

Press the INT Button to access the brightness adjustment mode. Quickly adjust the brightness by turning the "dial".

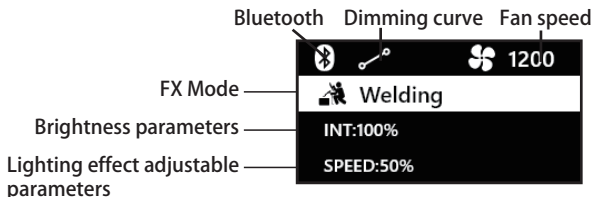
Adjust brightness parameters-fixed at colour temperature 5600K±200.



■ Special Effects Mode

There are 8 special effects including: paparazzi, fireworks, lightening, strobe light, welding light, faulty bulb, pulsing and explosion. The corresponding parameters can be adjusted according to the effect being used.

Press the FX Button to access the special effects mode; Place the cursor on special effects mode and select FX, brightness, speed/frequency and attenuation using the SET button. Rotate dial to select special effect and chosen parameter changes.



Menu Features

■ Fan speed adjustment

Fan speed can be adjusted to suit usage. There are 3 fan settings: 'Quiet', 'Auto' and 'Ultra Quiet'.

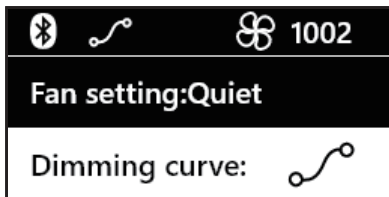
Press MENU control to access menu directory: adjust parameters using the SET button. Rotate dial to select.



■ Dimming Curve

This is a means of pre-setting the dimming light function using one of four dimming curves: linear, exponential, logarithmic and S-curve. Each one provides an alternative type of dimming.

Press MENU control to access menu directory: rotate dial to view curve setting required. Use Set button to select.



Menu Features

Language settings

Press Menu→ Rotate the Dial to select language→ Press SET Button→switch between Chinese and English.



Restore Factory Settings

To restore factory settings please press the 'OK/Select' key, then using the dial, select 'Yes' followed by 'OK/Select'. If you do not want to Restore Factory Settings select 'No' followed by 'OK/Select' to exit.



Power Management

Power Supply

AC Power port
Input voltage: AC 100V~240V 50/60HZ
Input power: 240W

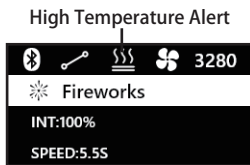
Temporary Lamp Shutoff

Press the power button to turn the light off, and press the power button again to turn the light on. Temporary light shutoff is a low-power mode. When the product is not in use, please check to make sure the product is fully shut down.



High Temperature Alert

When the display shows the 'Overheating Protection' warning, the brightness will be reduced. It is recommended to turn the lamp off, and then continue to use after the overall temperature of the light has reduced. Long-term use of this product in high temperature conditions will affect the life of the device.



Bluetooth Connection

■ Bluetooth Connection and Reset

1. For Bluetooth connection: download the iFootage Lumin App to your mobile device (Smartphone or tablet). Once registered, open the Lumin App and create a new project. Open the project and search for devices, select the appropriate device using the device name or code to connect via Bluetooth. The light will blink three times to show a successful Bluetooth connection. Via the project device list, select to control single or multiple devices. The Bluetooth icon will appear on the status bar after which you can set the internal lighting values. If the APP shows Bluetooth connection failure, please check to see that your mobile device is Bluetooth enabled or reset Bluetooth on the product and try to reconnect.
2. Bluetooth Reset: Using the device screen, press BT to access the Bluetooth setting. rotate dial and select 'Bluetooth Reset', then press the "Confirm & select' control.

Icon display after successful
Bluetooth connection



Fan speed

Bluetooth reset

Note:

1. The 220DN and mobile device connection use Bluetooth BLE5.1 technology. Prior to opening the App to connect please ensure that Bluetooth has been enabled on your device. If using Android, you will need to enable Bluetooth on the APP also.
2. The iFootage Lumin App currently supports iOS 12.0 and above. It also supports mobile devices with Android 8.0 and above.
3. After connecting the device to the Lumin App via Bluetooth please ensure that, when prompted to make a firmware update, the battery power for all devices is sufficient to support the duration of the update.

APP Introduction

■ App Overview

The Lumin App has multi-light control, key frames and music mode. For additional modes please download the iFootage Lumin App or visit www.ifootagegear.com to access a detailed App user guide. To download the APP, please scan the QR code or search for iFootage Lumin App. For more information please visit www.ifootagegear.com after registering you can operate the product using the APP, however should you change to another mobile device, the product will be reset via Bluetooth, after which you can use the APP connection.



iFootage Lumin
App QR Code



Official Website QR Code



■ Keyframes and sequences

Within the Lumin App you can select the key frame settings within modes. You can apply key frames to layout, loop method, fade time, duration etc to achieve a repeatable lighting status or set of lighting conditions.

■ Multi-light Control

Within the App's project device list, you can choose to add multiple lights to a project. By setting key frames on each light you can create a multiple light sequence.

■ Music mode

Music mode has a variety of ambient colours that react and change according to the music.

■ Special Effects

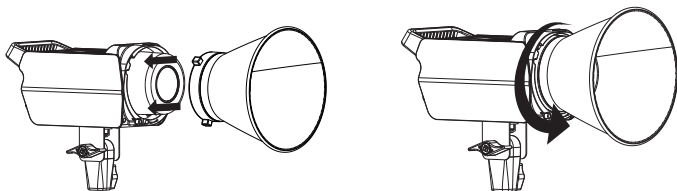
The iFootage Lumin APP has 8 internal effects, and more parameters can be set in the APP according to your lighting needs.

Accessory Installation

The SL1 220DN LED light comes with its own Bowens adapter and can be used with other light accessories which accommodate a Bowens adapter such as Fresnel attachment, 60cm soft box or beauty dish etc.

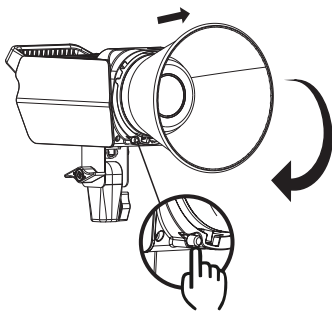
■ Reflector Installation

To attach the reflector, the three tabs must be aligned with the lamp head and then rotated to lock it in place.



■ Reflector Removal

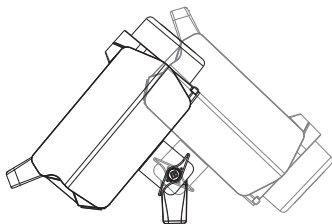
Push the reflector release on the lamp head and rotate the reflector anti-clockwise to remove.



How to Use

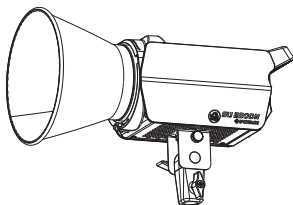
■ Adjustable Spotlight Angle

The angle of the light can be easily adjusted by turning the angle handle anti-clockwise and then locking back in place by turning clockwise.



■ Usage

The 220DN can be attached to a light stand or other suitable support accessory.



Securely place light on light stand and lock in place using the light's locking control.

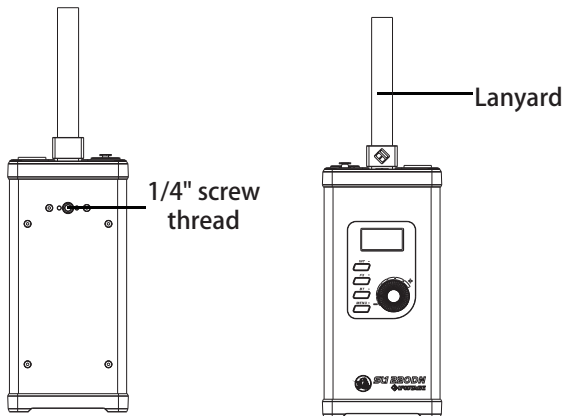


Light stand spigot

How to Use

■ Control Unit

The control unit has a convenient attachment lanyard and 1/4" screw thread at the rear so that it can be safely attached to a magic arm, grab clamp or other appropriate support accessory.



Technical Information

Product Name	LED Light
Model	SL1 220DN
Power Input	AC 100V~240V 50/60HZ
Overall Power	240W Input AC 220V, Output DC 48V
Light Output Power	220W
Material	Aluminum alloy, stainless steel, polycarbonate
Bare Light Size	259 X 211 X 130mm
Power Supply Size	103 X 217 X 65 mm
Bare Light Net Weight	1.75Kg
Power Supply Net Weight	1.2Kg
Working Temperature	-15°C~45°C
SSI CIE-D55 *	84
IES TM-30 *	Rf 97 Rg100
CQS *	97
CRI *	98
TLCI *	99
Colour temperature*	5600K±200
Brightness Range	0%~100%
100% Illuminance *	≈8400LUX (main lamp, distance 1 meter)
100% Illuminance *	≈42000LUX (with reflector, distance 1 meter)
Control Method	Bluetooth APP control, manual button control
Wireless Frequency	2.4GHz
Bluetooth Transmission Distance	< 100 meters (no interference)
Display Type	Monochrome OLED

Note: The above data is based on iFootage Lab tests and there may be some variation in values with data marked with an asterisk

List of items

SL1 220DN Main Light Body, Reflector, 5m Power Cable, 3m Light head connecting cable, Control unit, Light Head Protector, Warranty Card, User Manual, Certificate, Carry Case.

Notes

1. In order to avoid equipment failure, please do not expose this product to moisture or use in wet or rainy, sandy or dusty environments.
2. Do not disassemble or modify the product. Mishandling, including dropping the product, may result in permanent damage.
3. Keep this product and its parts out of the reach of children and animals.
4. Please ensure that the product is always free from moisture and is stored safely. Water and other liquids may contain minerals that can corrode the internal electronic circuits.
5. Avoid using or placing the product in high temperature environments, including direct strong, sunlight, as this may shorten the life of electronic parts, damage the battery or distort plastic parts or casings.
6. Avoid using the product in very low temperature environments as internal condensation or water particles may damage electronic circuitry as the temperature rises.
7. Avoid using or storing the product in dirty or dusty environments as this may damage components.
8. Avoid placing the product on or near hot surfaces or sources of heat such as lit cigarettes, naked flames or heating systems.
9. Do not disassemble the product by yourself. Unprofessional treatment will cause damage to the product.
10. Do not drop, knock or shake the product. Rough handling may damage the internal circuit board.
11. During use do not cover the light head with flammable materials.
12. To avoid burns, please do not handle the light if it is hot.

Maintenance

1. To prevent the accumulation of dust particles affecting the performance of the product, please carefully wipe the exterior of the product with a clean, soft, dry cloth at regular intervals.
2. The SL1 220DN is covered by a 1-year warranty from the date of original purchase.
3. Product damage or failure to operate caused by inappropriate or irregular operation is not covered by the warranty.
4. Unauthorized repair or attempting repair will make the warranty void and any authorised repair will then be subject to charges.
5. If the product fails to function or is subjected to water or moisture please ensure it is professionally examined and repaired prior to using it.
6. Always use a clean, dry soft cloth to clean the lens on the product. Do not use harmful chemicals, cleaning agents or liquids to clean the product.
7. In the unlikely event that the product is found to be faulty please contact our Customer Service team who will be happy to assist you: cs@ifootagegear.com.

Statement

iFootage reserve the right to amend or rectify all hardware and software specifications at any time without notice. If there appears to be any difference between the contents of the instruction manual and the actual product, please refer to the product itself.

iFootage and its associates will not be held responsible for the use or misuse of any of the iFootage products or any direct, indirect, punitive, incidental, special consequential property or life damage responsibility. The risk of users or any other person using this product shall be borne by the user. This will not affect your legal rights.



iFootage Lumin APP QR Code



Official Website QR Code

To download the iFootage Lumin APP, please scan the QR code or visit our website. For more information on operation modes please visit our website www.footagegear.com

Manufacturer's Information



IFOOTAGE INTERNATIONAL (HK) LIMITED

UK Design & Made in China

Origin: China

Website: www.footagegear.com

