

Rollei Car DVR 71

User Manual

Precaution	Page 1
DVR Special Features	Page 2
Accessories	Page 2
DVR Interface	Page 2
Buttons Function	Page 3
DVR Operation	Page 3
Power on/off	Page 3
Video Mode	Page 3
Normal recording	Page 3
Loop recording	Page 4
Picture Mode	Page 4
Zoom in/out	Page 4
Palyback Mode	Page 4
Delete Files/Format	Page 4
Menu Setting	Page 4
Playback on HDTV/PC	Page 5
Technical specification	Page 6
Conformity	Page 6

Precaution

Please be well look through the following guidelines before you use this DVR.

- Please refer to manual instruction and operate the camera correctly. Illegal operation may cause damage to camera internal components.
- Do not fall or hit the camera, it may damage the internal components.
- Do not alter or dismantle the DVR, to avoid the damage to the DVR.
- The temperature rise is normal when digital cameras in use for a long time
- Do not touch the lens when recording which will affect the video quality.

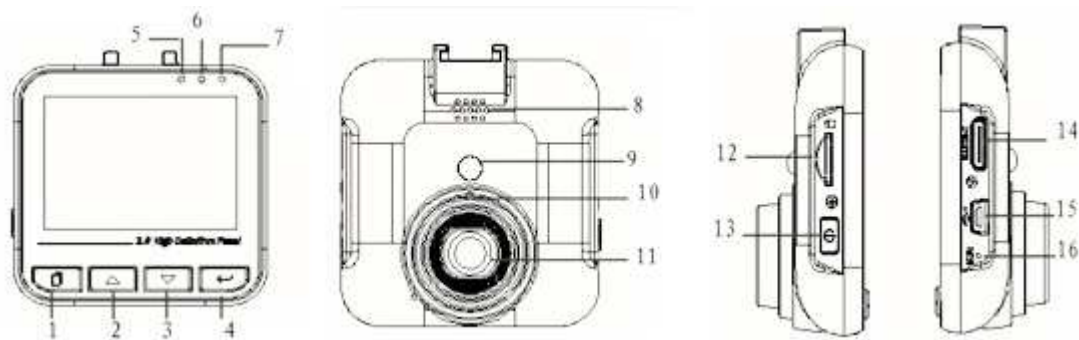
DVR Special Features:

- **G-Sensor**
G-sensor is with built-in X/Y/Z three-axis acceleration sensor. DVR will save videos as undeletable files when gravity acceleration, any accident happens.
- **SOS function**
Under recording mode, press UP button momentarily to activate SOS function, the current video will be saved as undeletable file.
- **Silent Video Recording**
Under recording mode, press DOWN button momentarily to switch off the microphone. The yellow MIC off indicator will light up. Do not worry your secret talk.
- **Night Vision (limited to the version with LED light)**
In low light condition, press Power button momentarily to turn on the LED light, press Power button again to turn off.

Accessories

- Car charger
- USB cable
- Suction cup
- User Manual

DVR Interface



- | | |
|-----------------------|------------------|
| 1. Menu button | 9. LED light |
| 2. Up button | 10. Microphone |
| 3. Down button | 11. Lens |
| 4. OK button | 12. TF card slot |
| 5. MIC indicator | 13. Power button |
| 6. working indicator | 14. HDMI port |
| 7. Charging indicator | 15. USB port |
| 8. Speaker | 16. Reset button |

Button Function

Power button: Turn on/off DVR; Turn on/off night vision light.

Menu button: Long press to switch video/picture/playback mode;
Short press to enter menu setting.

Up button: Zoom in the image;
Under video mode, short press to activate SOS recording
Page up when setting menu;
Select the file under playback mode.

Down button: Zoom out the image;
Page down when setting menu;
Select the file under playback mode;
Under video mode, short press to enable/disable the microphone

OK button: Start/Stop recording; to take pictures; to confirm menu setting;
Under playback mode press it to start/pause playback.

Reset button: Press to restart DVR.

DVR Operation

1. Power on/off

Power on: Long press Power button, you hear beep sound, the blue working indicator will light up, DVR enters standby mode.

Power off: Long press Power button, you hear beep sound, the blue working indicator will be off, DVR powers off.

Note: When connected to Car Charger, DVR will turn on automatically when the car ignites; will turn off when the car stalls.

2. Video Mode

Normal recording

Under standby mode, press OK button to start recording, the blue indicator will flash. The flashing red recording icon is on the top left corner of the screen; recording time is on the top right corner; Microphone icon is on the left bottom; time stamp is on the middle bottom; Card icon and battery icon are on the right bottom.

Press OK button again to stop recording. The remaining recording time is on the LCD screen.

Loop recording (refer to menu setting)

Under standby mode, press OK button to start recording, the blue indicator will flash. The recording icon and cycle icon are on the top left corner of the screen.

When the video recorded up to the time you set (say 3 minutes or 5 minutes), DVR will save the footage automatically, and continue recording.

When TF card is full, DVR will overwrite the first footage by time sequence and continue recording.

Press OK button again to stop recording, The remaining recording time is on the LCD screen.

3. Picture Mode

Under standby mode, long press Menu button to enter picture mode, aim at the object you want to shoot and press OK button, DVR will save the picture automatically.

4. Zoom in/out

Under standby or picture mode, press Up/Down button to zoom in/out the image.

5. Playback Mode

Under standby mode, long press Menu button twice to enter playback mode, and press Up/Down button to select the video/picture, then press OK button to play back.

When DVR is playing back videos, press Up/Down button to fast reverse/fast forward.

6. Delete Files/Format

Under playback mode, press once Menu button to enter delete mode, press Up/Down button to select Delete/Format, press OK button to confirm, then press Up/Down button again to select the option, and press OK button to confirm. Press Menu button to back standby mode.

7. Menu Setting

Long press Menu button to switch Video mode/Picture mode/Playback mode.

Short press Menu button to enter each relative menu

Press Up/Down button to set menu, then press OK button to confirm setting.

Short press Menu button to exit menu setting.

Video mode/Picture mode/Playback mode each has two menus: Mode menu and System menu.

Video Menu:

Resolution: 1280*720P/640*480P

Loop recording: Off/3 minutes/5 minutes

Motion detection: Off/On

Date stamp: Off/On

Record audio: Off/On

G-sensor sensitivity: Off/Low/Medium/High

Picture Menu:

Capture mode: Single/2S Timer/5S Timer/10S Timer

Resolution: 12M/8M/5M/3M

Quality: Fine/Normal/Economy

Sharpness: Strong/Normal/Soft
White Balance: Auto/Daylight/Cloudy/Tungsten/Fluorescent
Color: Standard/Black & White/Sepia
ISO: Auto/100/200/400
Exposure: +2/3, +1/3, 0, -1/3, -2/3, -1.0, -4/3, -5/3, -2
Date Stamp: Off/Date/Date & Time

Playback Menu:

Delete: Delete current/Delete All
Format: Cancel/OK

System Menu:

Date/Time: 2015/06/08/20:21:06 YY/MM/DD
Auto power off: Off/2 minutes/5 minutes/10 minutes
Beep sound: Off/On
Language: German / English / French / Italian / Spanish / Portuguese / Dutch /
Greek / Hungarian / Slovak / Czech / Polish / Swedish / Danish / Norway / Finish
Frequency: 50Hz/60Hz
Default setting: Cancel/OK
Version: 20130618.V05
Delay power off: Off/15 seconds/1 minutes/5 minutes
Screen savers: Off/1 minute/3 minutes/5 minutes

8. Playback on HDTV/PC

(1) HDMI mode

Turn on the DVR, connect it to HD TV video input port and audio input port of with the HDMI cable, choose HDMI mode on TV. The DVR screen will be off, all operations on DVR can be checked on TV.

(2) PC mode

Turn on the DVR, connect it to a PC via the USB cable.

Open "My computer", check a new disk on your computer, open the "100MEDIA" in DCIM folder, you can check and download the video footages and pictures.

Technical specification

Screen	2.4 inch LCD screen
Resolution	720P 1280*720 30fps VGA 640*480 60fps
Image size	12Mega/8 Mega/5 Mega/3 Mega
Lens	1.3M CMOS sensor
View angle	120 degree
File format	AVI/JPEG
Digital zoom	4X
Battery	Built in battery 240mAh
Power	Auto recording while vehicle ignites, charging while recording
Storage	Support Micro SD card to 32GB (not included)
SOS recording	One key to start emergency recording, is undeletable
Cycle recording	seamlessly recording ,automatically overwrite function,
G-sensor	Support, built-in gravity sensor
Motion detection	Support, built-in motion sensor
Audio	Built-in Microphone/Speaker
Interface	USB2.0/HDMI
Time stamp	Support
Menu language	German / English / French / Italian / Spanish / Portuguese / Dutch / Greek / Hungarian / Slovak / Czech / Polish / Swedish / Danish / Norway / Finish
Current frequency	50Hz/60Hz
Night vision	Support

Conformity

The Manufacturer hereby declares that the CE marking was applied to the Rollei CAR-DVR 71 in accordance with the basic requirements and other relevant provisions of the following CE Directives:

2011/65/EC RoHs Directive
2004/108/EC Low Voltage Directive
1999/5/EG R&TTE Directive
2006/95/EEC LVD Directive
2009/125/EG EuP Directive
2002/96/EG WEEE Directive



The EC Declaration of Conformity can be requested from the address specified on the Warranty card.