

Rollei



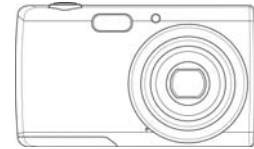
Compactline 800

Kurzanleitung | Quick Start Guide

www.rollei.de

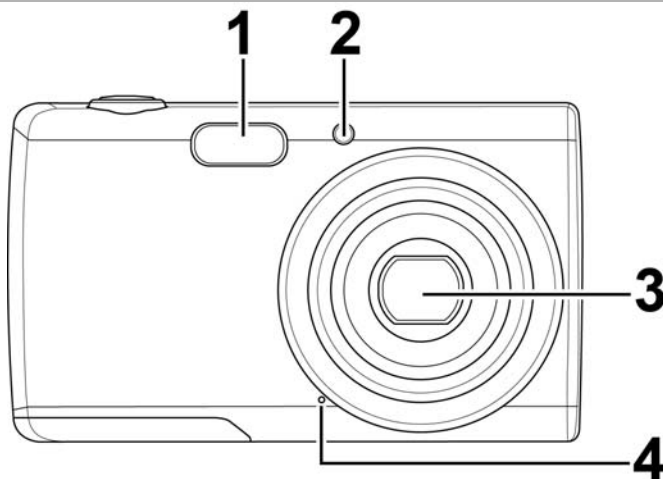
Quick Start Guide

ENGLISH



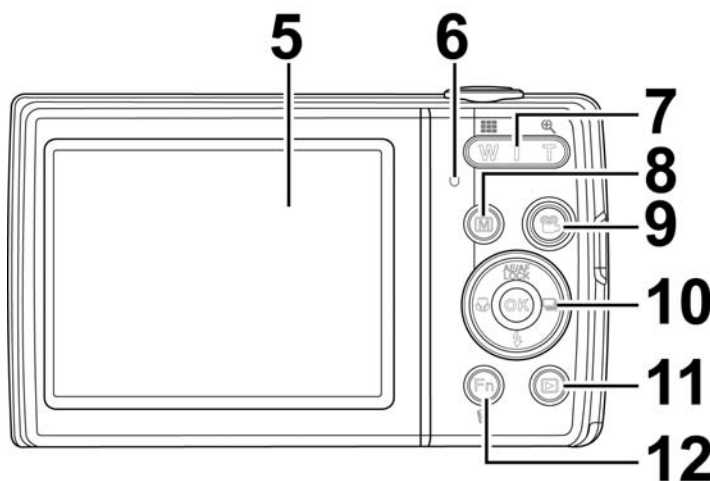
Camera Views

Front View



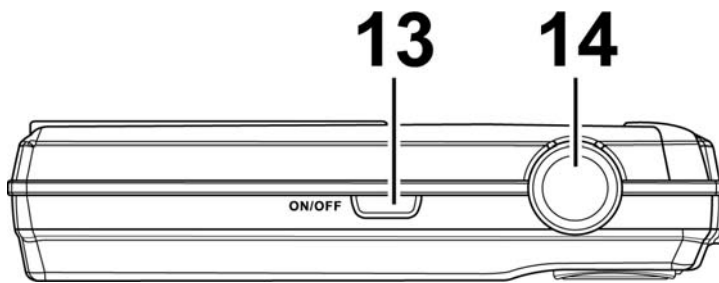
- 1. Flash
- 2. Self-timer LED
- 3. Lens
- 4. Microphone

Back View



- 5. LCD monitor
- 6. LED indicator
- 7. Zoom button
- 8. Menu button
- 9. Movie button
- 10. OK button/
4-way navigation
control
- 11. Playback button
- 12. Fn/Delete button

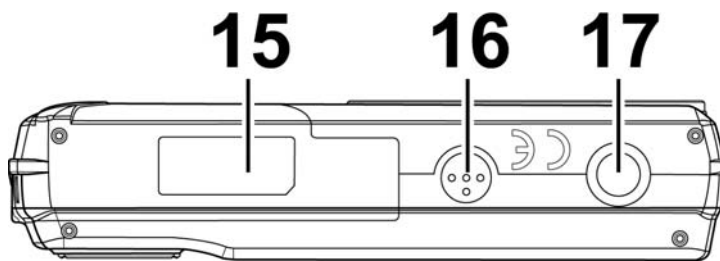
Top View



13. Power button

14. Shutter button

Bottom View

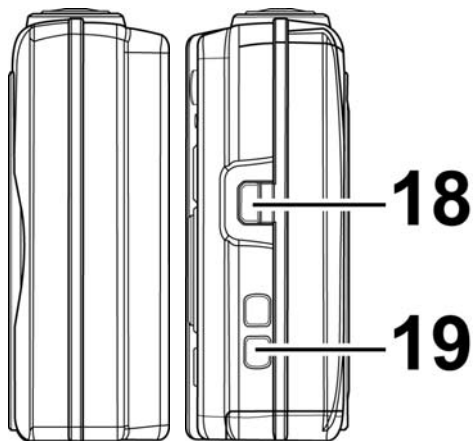


15. Battery/Memory
card compartment

16. Speaker

17. Tripod screw hole

Left/Right View

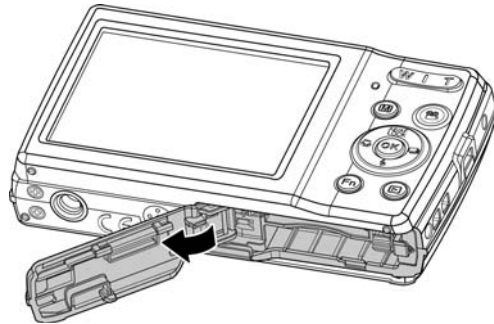


18. USB/TV Out

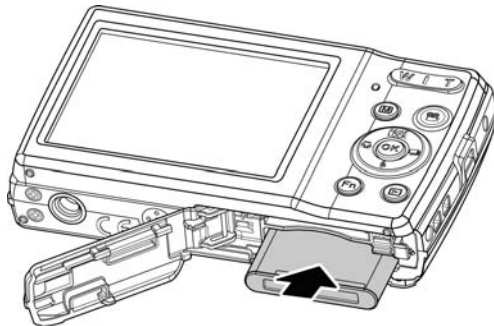
19. Strap ring

Step 1. Inserting the Battery

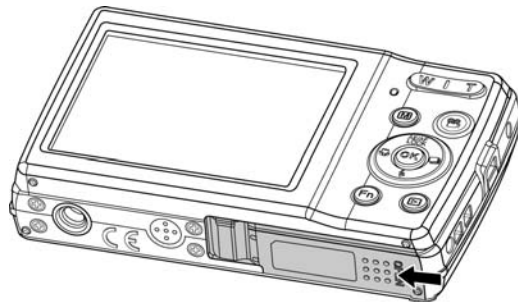
1. Unlock and open the battery/memory card compartment at the bottom of the camera.



2. Insert the battery into the compartment with the terminal facing inside the camera with correct orientation as shown.

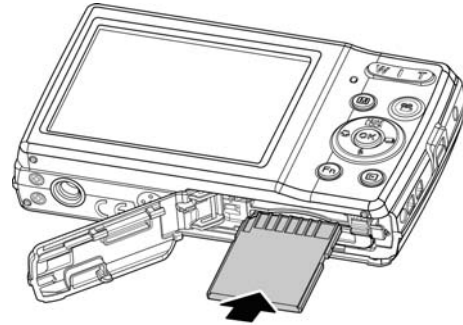


3. Close and lock the battery/memory card compartment. In order to prevent the battery from dropping, please make sure the compartment is locked firmly.



Step 2. Inserting an SD/SDHC/SDXC Memory Card

1. Unlock and open the Battery/memory card compartment at the bottom of the camera.
2. Insert the SD/SDHC/SDXC card into the memory card slot with the metallic part facing the back side of the camera.
3. Push the SD/SDHC/SDXC card into the memory slot until it clicks into place.
4. Close and lock the Battery/memory card compartment.

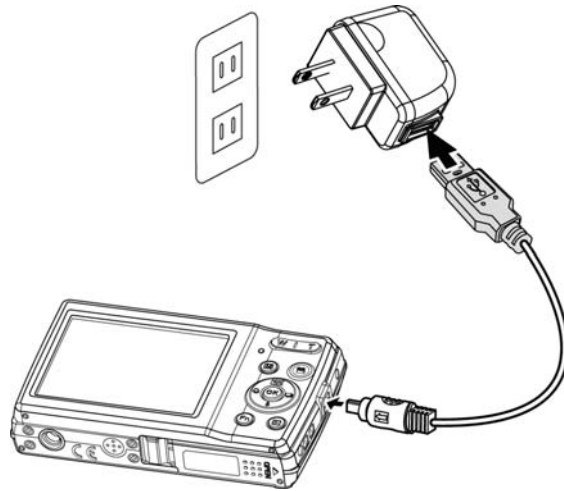


NOTE: To remove the SD/SDHC/SDXC card: Gently push the card until it pops out. Pull the card out and lock the battery cover.

Step 3. Charging the Battery by USB

1. Connect the camera with the USB cable as shown.
2. Connect the other end with the USB adapter (not included) and plug it into a power outlet or with the USB port of PC directly for charging.

- When the battery is charging, the LED indicator flashes.
- When the battery is fully charged, the LED indicator goes off.
- When the battery is unusual charged, the LED indicator flashes rapidly.
- When the camera charges without the battery inside, the LED indicator goes off.



- It's recommended not operating the camera when charging. Actual charging time depends on current battery capacity and charging conditions.
- When the battery is removing during charging, it will recover charging after you unplugging and replugging USB.

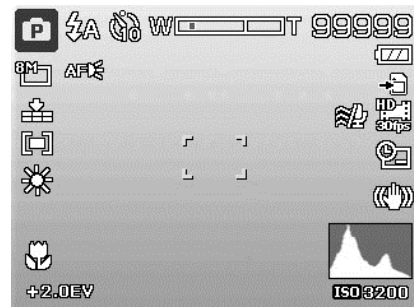
Step 4. Setting the Language/Date/Time

1. Turn on the power by pressing **Power button**.
2. Use **4-way navigation control** to move and change the settings.
3. Press **OK button** to finish.




Step 5. Taking Images

1. Turn on the camera by pressing the **Power button**.
2. Frame the shot using the focus bracket on the LCD monitor. See illustration on the right.
3. Pressing the **Shutter button** down halfway automatically focuses and adjusts the exposure, and pressing the **Shutter button** down fully captures the images.




Step 6. Recording Videos

1. Press the **Movie button** to start recording. 
2. Focus your camera on the subject that you want to take.
3. Use the **Zoom button** to zoom in and zoom out an image.
4. To stop recording, press the **Movie button**.




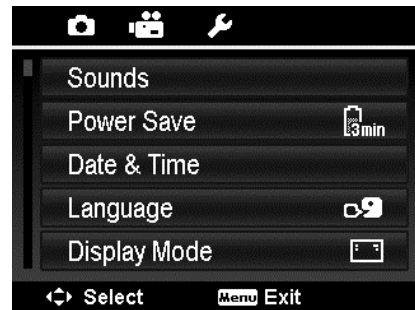
Step 7. Viewing images, video clips

1. Press the **Playback button**  on the camera.
2. The LCD screen displays an image. Use the ◀ or ▶ keys to view next/previous image/video.
3. Press the **OK** button to play a video clip.



Step 8. Using the Setup Menu

1. Press **Menu button**  to launch the Record/Playback Menu.
2. Use the ◀ or ▶ keys to switch the menu tab to **Setup** menu.
3. Use the ▼ or ▲ keys to move through the menu selections.
4. Press the **OK** button to save and apply settings.



Specifications

Sensor	20M Pixels
Lens	Focal Length: 26 mm ~ 130 mm 5x optical zoom, 8x digital zoom
LCD monitor	2.7" Color LCD
Focusing Range	Normal: Wide: 5 cm ~ infinity Tele: 60 cm ~ infinity Macro: Wide: 5 cm ~ 100 cm Tele: 150 cm ~ 200 cm Super Macro: Wide: 3 cm
Aperture	Wide: F3.2; Tele: F6.4
Shutter	Shutter Speed: Auto: 1 - 1/2,000 sec. Manual: 15 - 1/2,000 sec. Night: 1/4 - 1/2,000 sec. Fireworks: 4 sec.

File Format	Still Image: EXIF 2.3 compatible format (JPEG compression) AVI (Video: MJPEG, Audio: mono) Audio: WAV
Storage	Internal memory: 64MB flash memory External memory: SD (up to 4GB), SDHC card (up to 32GB guaranteed), SDXC card (up to 64GB guaranteed)
Battery	Lithium ion battery
Operating Temperature	0°C - 40°C
Operating Humidity	0% - 90%
Dimensions	100.39 x 59.00 x 21.45 (mm)
Weight	103 g (no battery)



Distribution:

Rollei GmbH & Co. KG
In de Tarpen 42
D-22848 Norderstedt

Service Hotline

+49 40 270750270

Return Service

Rollei Service Germany
Denisstraße 28a
D-67663 Kaiserslautern



www.rollei.de/social

www.rollei.com/social