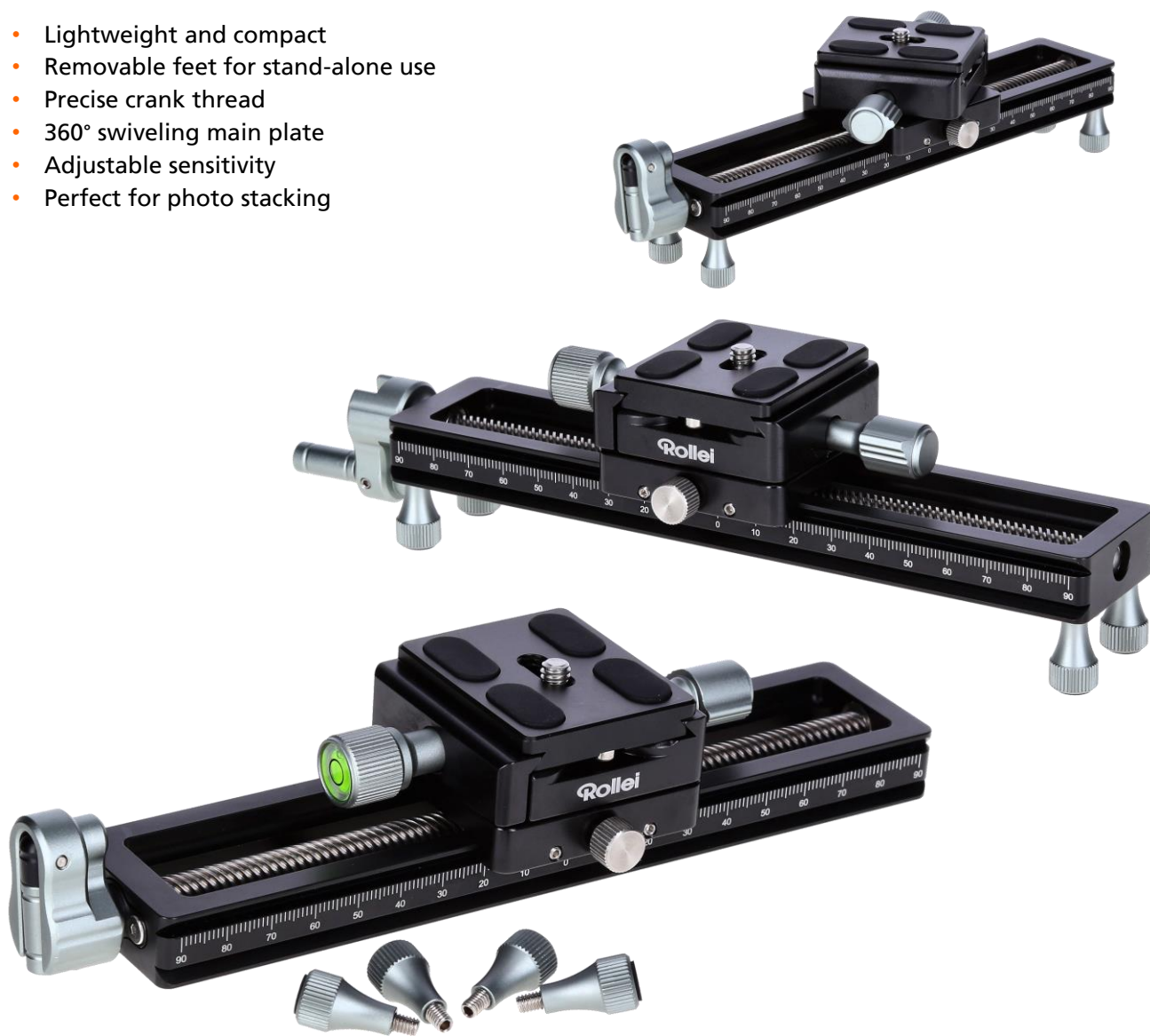


Macro Rail - for precise macro photography

- Lightweight and compact
- Removable feet for stand-alone use
- Precise crank thread
- 360° swiveling main plate
- Adjustable sensitivity
- Perfect for photo stacking



Technical Data

Material	Aluminium
Size	21 x 5.9 x 4,2 cm (6 cm with feet)
Rail length	18.8 cm
Weight	410 g
Max. payload	8 kg

What's in the Box and Packaging Details

What's in the box	1x macro rail, 4x feet, 1x mounting plate
Packaging dimensions Weight	21 x 6.7 x 6.2 cm 490 g

Specifications are subject to change without notice.

