

Rollei

QUICK START GUIDE

FOR GERMAN | ENGLISH | SPANISH | ITALIAN | FRENCH | PORTUGUESE |
GREEK | DUTCH | POLISH | HUNGARIAN | CZECH | NORWEGIAN |
DANISH | FINNISH | SWEDISH

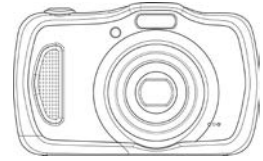


Rollei Sportsline 100

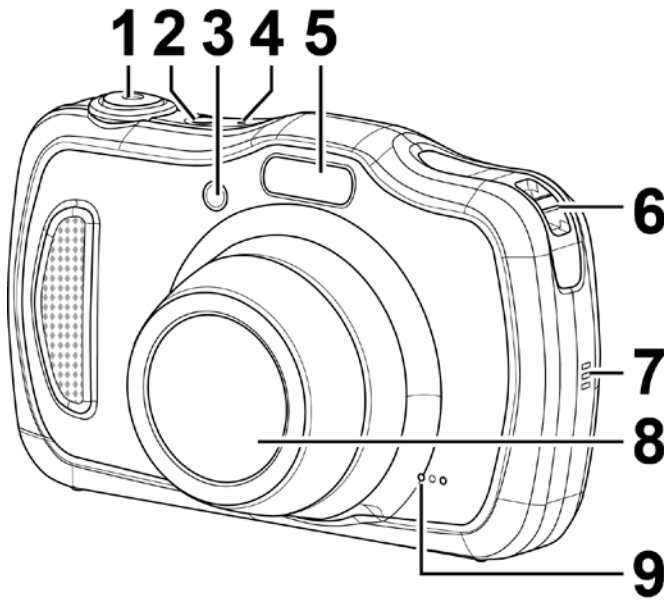


Quick Start Guide

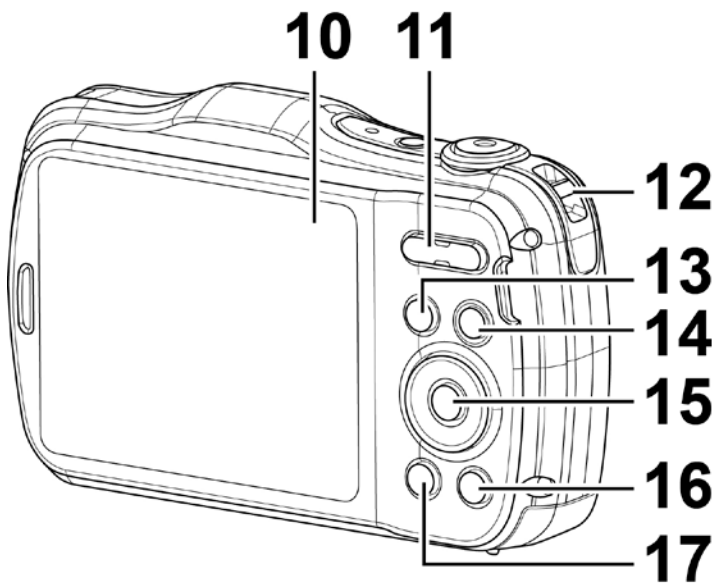
ENGLISH



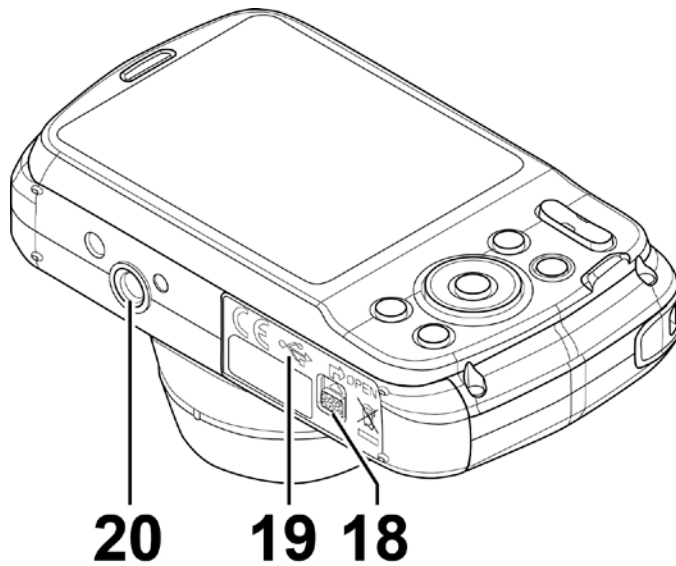
Camera Views



1. Shutter button
2. Power button
3. Self-timer LED/
AF Assist Lamp
4. LED indicator light
5. Flash
6. Strap ring
7. Speaker
8. Lens
9. Microphone



10. LCD monitor
11. Zoom button
12. Strap ring
13. Playback button
14. Movie button
15. OK button/4-way
navigation control
16. AE/AF LOCK
button/Delete
17. Menu button



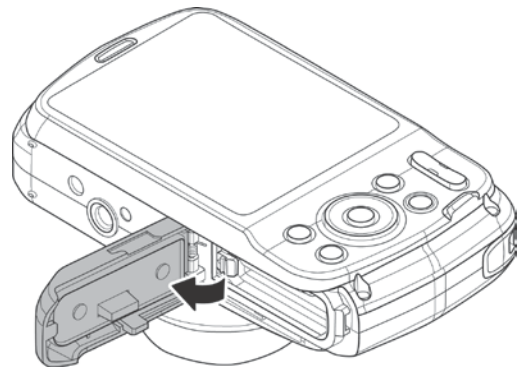
18. Battery/Memory card compartment

19. USB/TV Out

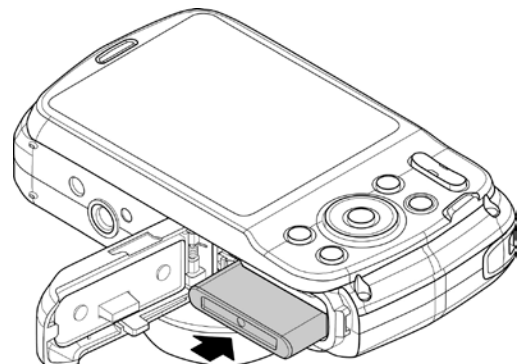
20. Tripod screw hole

Step 1. Inserting the Battery

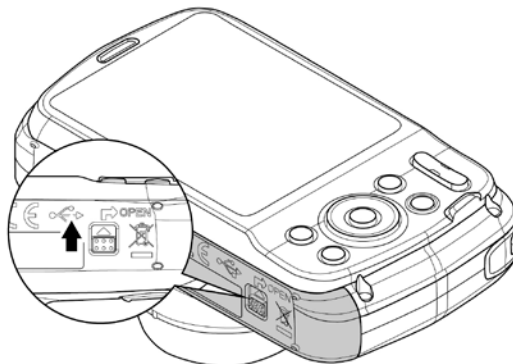
1. Unlock and open the battery/memory card compartment at the bottom of the camera.



2. Insert the battery into the compartment with the terminal facing inside the camera with battery downward side facing upwards.



3. Close the battery/memory card compartment, and the cover latch is buckled automatically. To ensure the water resistance, please pull down the cover latch (as illustrated) to lock the battery cover before using under water.



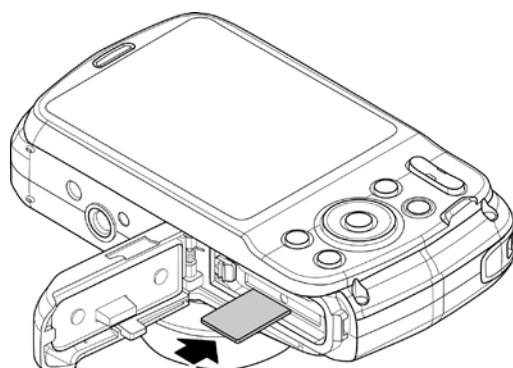
Battery - Back



Battery - Front

Step 2. Inserting an SD/SDHC/SDXC Memory Card

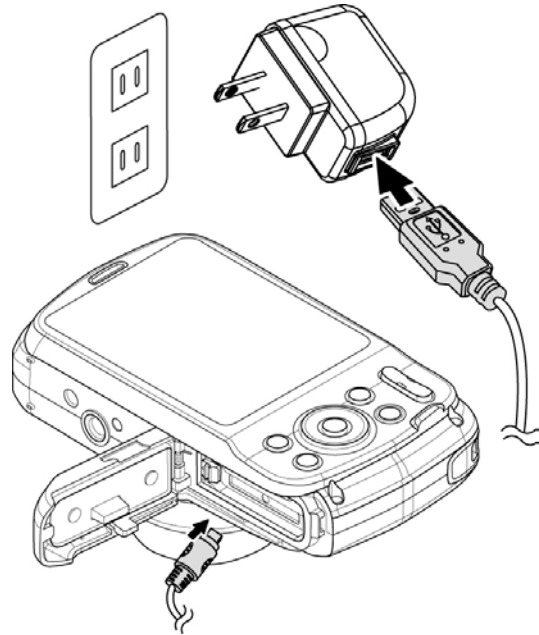
1. Unlock and open the Battery/memory card compartment at the bottom of the camera.
2. Insert the SD/SDHC/SDXC card into the memory card slot with the metallic part facing the back side of the camera.
3. Push the SD/SDHC/SDXC card into the memory slot until it clicks into place.
4. Close and lock the Battery/memory card compartment.



NOTE: To remove the SD/SDHC/SDXC card: Gently push the card until it pops out. Pull the card out and lock the battery cover.

Step 3. Charging the Battery by USB

1. Connect the camera with the USB cable as shown.
2. Connect the other end with the USB adapter and plug it into a power outlet or with the USB port of PC directly for charging.
 - When the battery is charging, the LED indicator flashes.
 - When the battery is fully charged, the LED indicator goes off.
 - When the battery is unusual charged, the LED indicator flashes rapidly.
 - When the camera charges without the battery inside, the LED indicator goes off.



- It's recommended not operating the camera when charging. Actual charging time depends on current battery capacity and charging conditions.
- When the battery is removing during charging, it will recover charging after you unplugging and replugging USB.

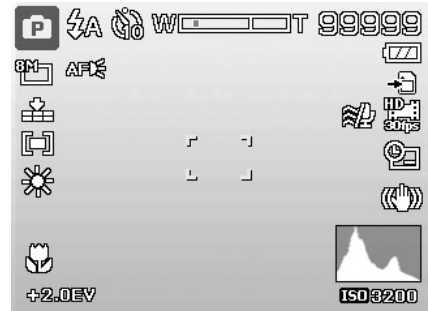
Step 4. Setting the Language/Date/Time

1. Turn on the power by pressing **Power button**.
2. Use **4-way navigation control** to move and change the settings.
3. Press **OK button** to finish.




Step 5. Taking Images

1. Turn on the camera by pressing the **Power button**.
2. Frame the shot using the focus bracket on the LCD monitor. See illustration on the right.
3. Pressing the **Shutter button** down halfway automatically focuses and adjusts the exposure, and pressing the **Shutter button** down fully captures the images.




Step 6. Recording Videos

1. Press the **Movie button** to start recording. 
2. Focus your camera on the subject that you want to take.
3. Use the **Zoom button** to zoom in and zoom out an image.
4. To stop recording, press the **Movie button**.




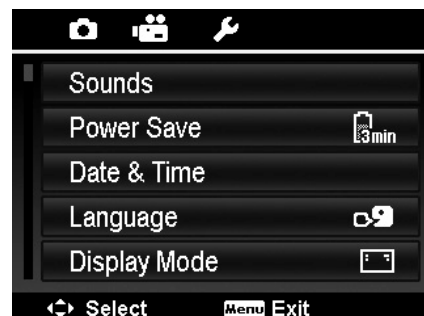
Step 7. Viewing images, video clips

1. Press the **Playback button**  on the camera.
2. The LCD screen displays an image. Use the ◀ or ▶ keys to view next/previous image/video.
3. Press the **OK** button to play a video clip.



Step 8. Using the Setup Menu

1. Press **Menu button**  to launch the Record/Playback Menu.
2. Use the ◀ or ▶ keys to switch the menu tab to **Setup** menu.
3. Use the ▼ or ▲ keys to move through the menu selections.
4. Press the **OK** button to save and apply settings.



Specifications

Sensor	20M Pixels
Lens	Focal Length: 26 mm ~ 104 mm (35 mm equivalent) 4x optical zoom, 8x digital zoom
LCD monitor	2.7" Color LCD
Focusing Range	Normal: Wide: 5 cm ~ infinity Tele: 60 cm ~ infinity Macro: Wide: 5 cm ~ 100 cm Tele: 60 cm ~ 200 cm Super Macro: Wide: 5 cm
Aperture	Wide: F3.2; Tele: F5.8
Shutter	Shutter Speed: Auto: 1 - 1/2,000 sec. Night: 15 - 1/2,000 sec. Fireworks: 2 sec.
File Format	Still Image: EXIF 2.3 compatible format (JPEG compression) AVI (Video: MJPEG , Audio: mono) Audio: WAV

Storage	Internal memory: 64MB flash memory External memory: SD (up to 4GB), SDHC card (up to 32GB guaranteed), SDXC card (up to 64GB guaranteed)
Battery	Li-ion battery: NP45 (3.7V 700mAh)
Operating Temperature	0°C - 40°C
Operating Humidity	0% - 90%
Dimensions	107.5 x 66.15 x 50.45 (mm) (with the lens mounting ring)
Weight	162 g (no battery) 178 g (with battery)

Rollei



www.rollei.de/social

www.rollei.com/social

Distribution:

Rollei GmbH & Co. KG
In de Tarpen 42
D-22848 Norderstedt

Service Hotline:

+49 40 270750270

Return Service:

Rollei Service Germany
Denisstraße 28a
D-67663 Kaiserslautern