

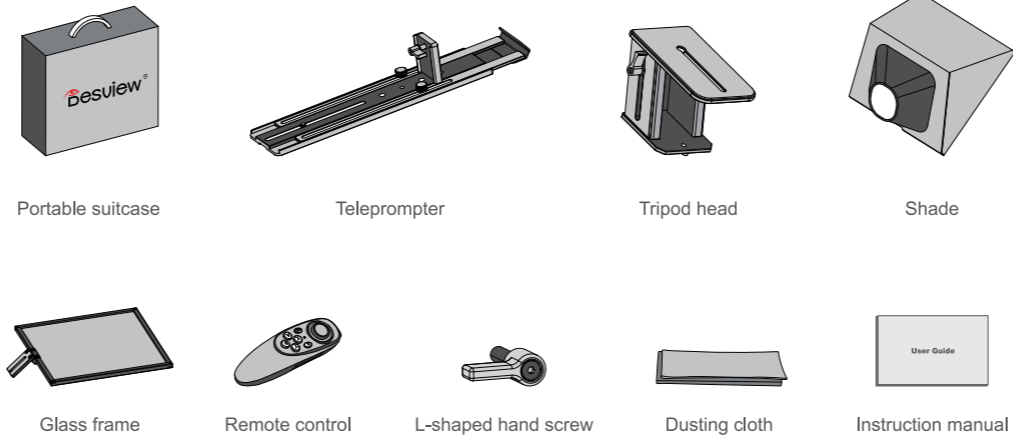


Desview®

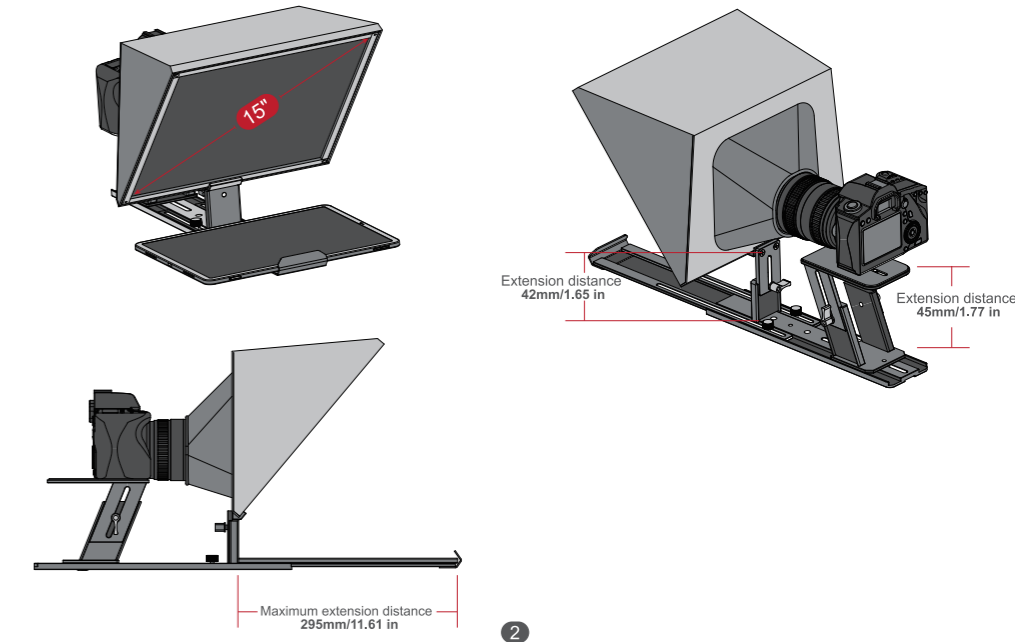
TP150 TELEPROMPTER

User Manual

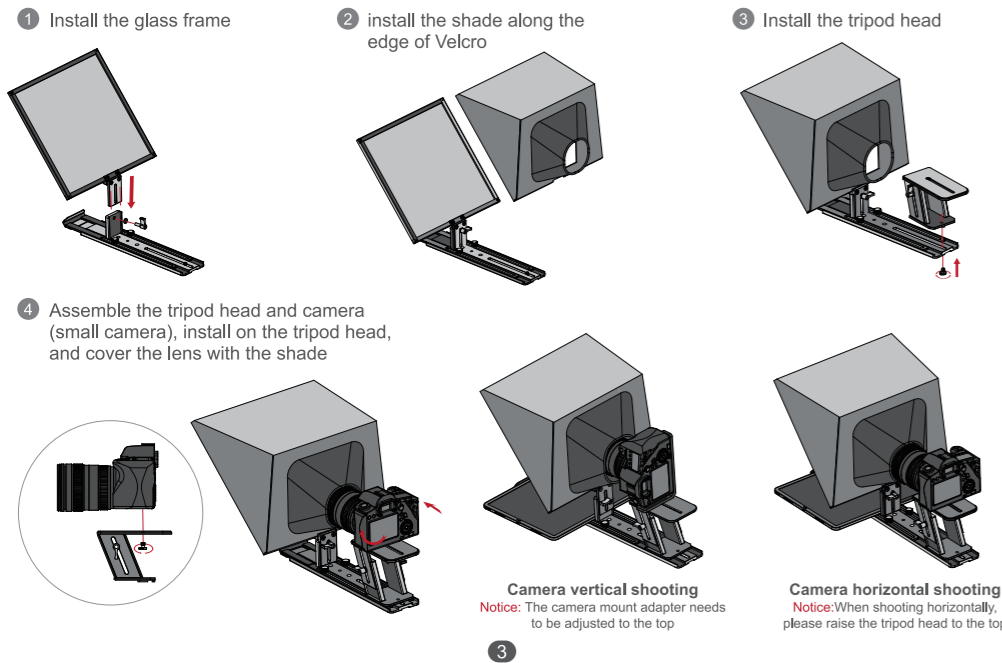
Packing List



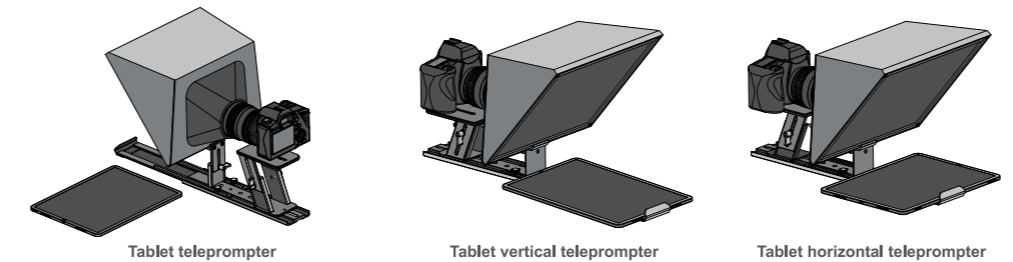
Product parameters



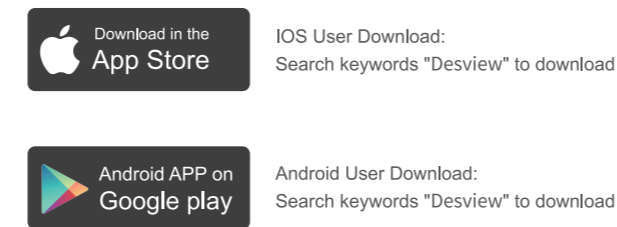
Installation steps diagram



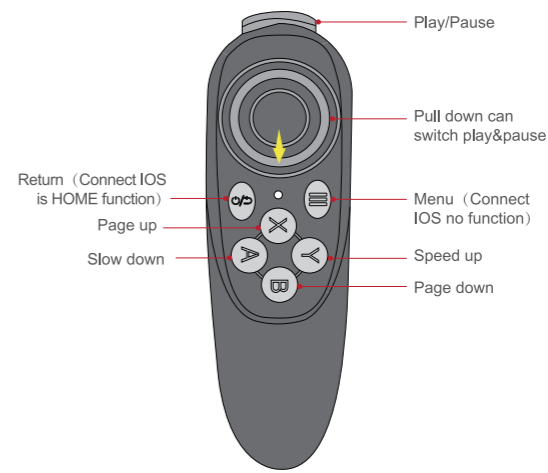
5 Install teleprompter (cell phone or tablet)



APP Download



Remote Controller



Controller Use Instruction

- power on: Keep press **ON**, until the lights on (about 2 seconds).
- power off: Keep press **ON**, until the lights off (about 5 seconds).

Notice: if power on without connecting anything, it will power off after 5 minutes; if the phone connected, it will power off after 12 minutes without any operation.

- Pairing Connection: The LED light on the controller will flashes after powered on, the remote controller will automatically enters the wireless pairing mode, search the controller name (Bestview) on the prompting device and click connecting, after the connection is successfully, the LED light flashes intermittently.

NOTICE: Due to the compatibility issue, some of the smartphones' or tablet's functions have some differences.

